

Rubber Turret Mountings

Type RM



Type RM Rubber Turret mountings are designed to provide superior attenuation of medium to high frequency vibration and noise emanating from a wide range of motor driven machines particularly axial and centrifugal fans.

High resilience rubber with low dynamic to static stiffness ratio ensures maximum efficiency, good creep performance and long service life.

Design Features

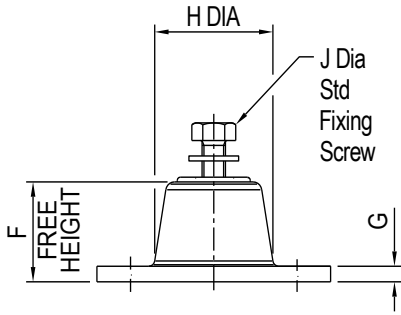
- Moulded in first grade natural rubber with integral steel base and upper fixing boss.
- Manufactured in three sizes, each available in three rubber compounds identified by a colour spot.
- Static deflections of up to 8 mm with loads from 5 kg to 400 kg.
- Upper fixing screw supplied as standard.

Typical Applications

- Axial and Centrifugal Fans.
- Air Handling Units.
- Refrigeration Plant.
- Pumps.
- Rotary and Multi Cylinder Compressors.
- Floating Floors.
- Isolation of Sensitive Equipment.
- Test Rigs and Special Purpose Machines.



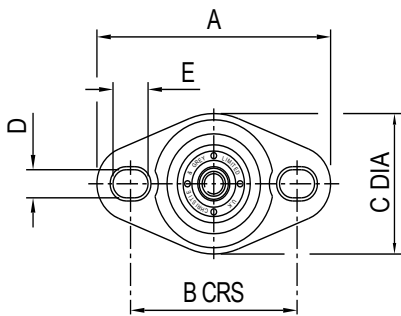
STANDARD PART (.F)



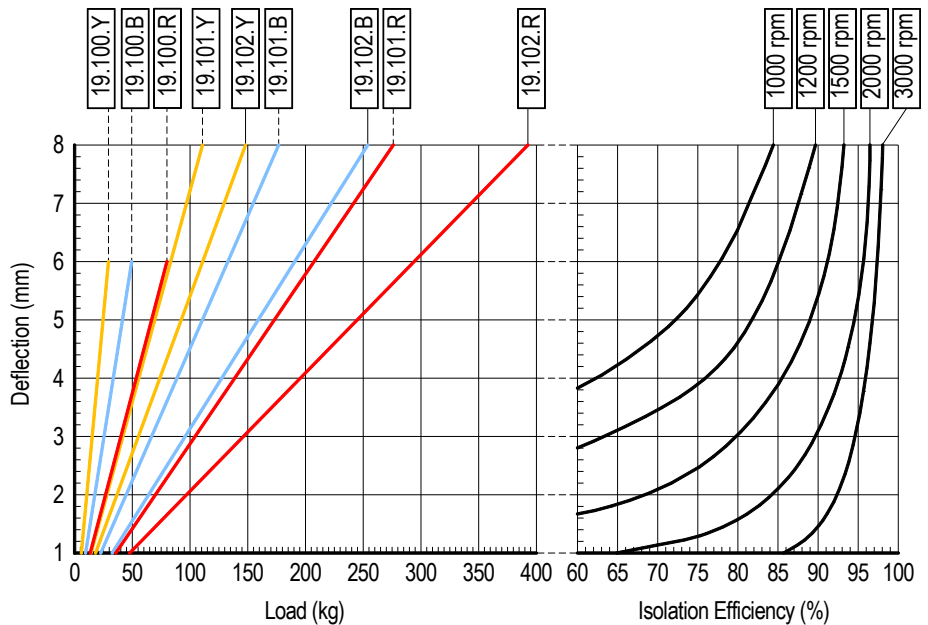
TYPE RM RUBBER TURRET MOUNTINGS

PART No.	COLOUR CODE	RATED LOAD (kg)	DEFLECTION AT RATED LOAD (mm)	DIMENSIONS (mm)								WT MAX (kg)	
				A	B	C	D	E	F	G	H		J
19.100.Y.F	YELLOW	28	6	80	57	45	9	12	32	5	41	M8 x 20	0.11
19.100.B.F	BLUE	50											
19.100.R.F	RED	80											
19.101.Y.F	YELLOW	110	8	95	71	60	9	14	45	5	56	M10 x 25	0.25
19.101.B.F	BLUE	180											
19.101.R.F	RED	280											
19.102.Y.F	YELLOW	150	8	150	115	86	11	22	70	6	82	M12 x 30	0.73
19.102.B.F	BLUE	260											
19.102.R.F	RED	400											

- Above part number includes standard upper fixing screw size J.



LOAD/DEFLECTION AND ISOLATION EFFICIENCY GRAPHS



Isolation efficiency is based on dynamic rather than static stiffness for accurate calculation of system performance.

Application Notes:

Rubber Turret mountings should not be used on machines exhibiting high out of balance forces or mobile applications without locking devices or independent restraints.

For full instructions please refer to our data sheet DS010.

For more detailed information and technical assistance please contact our Technical Department.

In the interests of continual development, the Company reserve the right to make modifications to these details without notice.



Christie & Grey Ltd
 Morley Road,
 Tonbridge, Kent
 TN9 1RA, England

T: +44 (0)1732 371100
 E: sales@christiegrey.com
 W: www.christiegrey.com

