

# Spring and Rubber Acoustic Ceiling Hangers

Type LSH/LRH



A comprehensive range of steel spring and rubber acoustic ceiling hangers, offering the designer a choice between low frequency vibration isolation or optimum performance at higher audible frequencies, if noise control is of paramount importance.

## Design Features

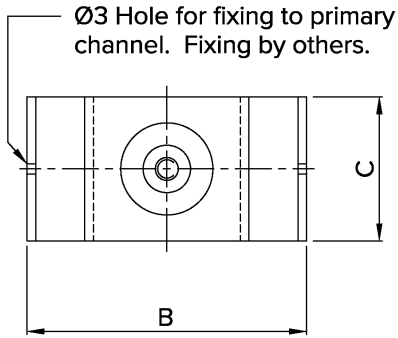
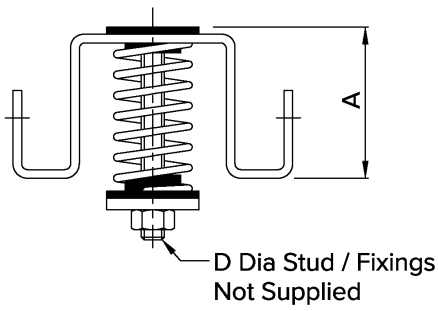
- Colour coded helical steel springs to BS1726 Class B with nominal deflections up to 20mm, laterally stable with 50% overload capacity.
- Rubber inserts for high frequency attenuation on Type LSH also prevent drop rod contacting hanger frame.
- Integral failsafe steel overload washers.
- All steel components are zinc plated.
- Capable of 15° angular misalignment.
- Rubber hangers have natural rubber elements with deflections up to 6 mm.

## Typical Applications

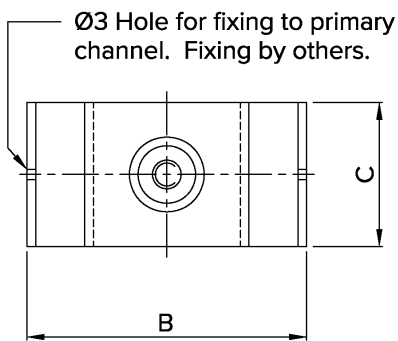
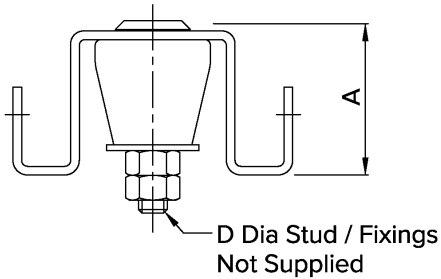
- Acoustic Ceilings.



### Type LSH



### Type LRH



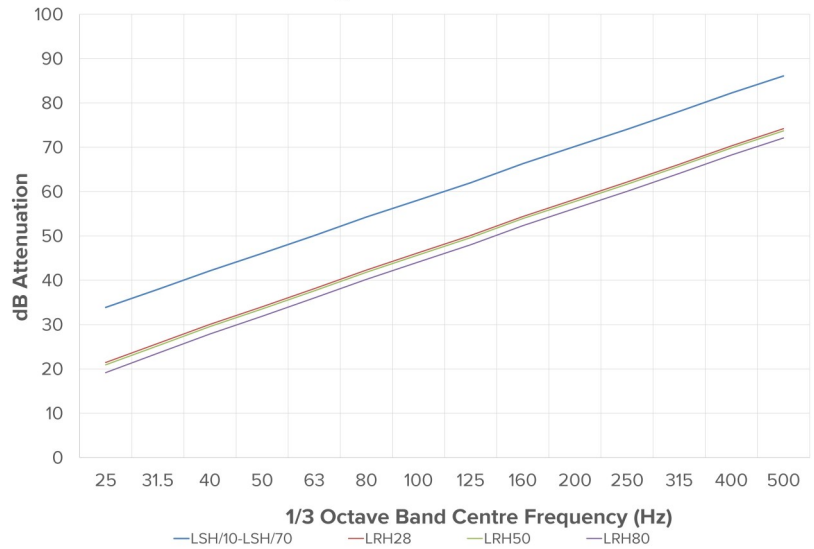
### TYPE LSH ACOUSTIC CEILING HANGERS

PART No.	COLOUR CODE	RATED LOAD (kg)	DEFLECTION AT RATED LOAD (mm)	DIMENSIONS (mm)				WT (kg) MAX
				A	B	C	D	
LSH20/10	PURPLE	10	20	53	97	50	M8	0.24
LSH20/15	YELLOW	15	20					
LSH20/20	GREY	20	20					
LSH20/40	GREEN	40	20					
LSH20/70	RED	70	20					

### TYPE LRH ACOUSTIC CEILING HANGERS

PART No.	COLOUR CODE	RATED LOAD (kg)	DEFLECTION AT RATED LOAD (mm)	DIMENSIONS (mm)				WT (kg) MAX
				A	B	C	D	
LRH28	YELLOW	28	6	54	97	50	M10	0.25
LRH50	BLUE	50	6					
LRH80	RED	80	6					

Structural Force Attenuation of LSH and LRH Acoustic Ceiling Hangers at rated load.



#### General Notes

- LSH and LRH are designed for use with MF7 Primary Channels or similar.

For more detailed information and technical assistance please contact our Technical Department.

In the interests of continual development, the Company reserves the right to make modifications to these details without notice.



**Christie & Grey Ltd**  
 Morley Road,  
 Tonbridge, Kent  
 TN9 1RA, England

T: +44 (0)1732 371100  
 E: sales@christiegrey.com  
 W: www.christiegrey.com

