

Captive Rubber Mountings and Hangers

Type CRM2 & CRM3



A universal captive rubber mounting for supporting, hanging, anchoring and guiding pipework, particularly exhaust systems on board ship.

Designed specifically for use in high ambient temperature conditions for the control of vibration throughout the audible frequency range.

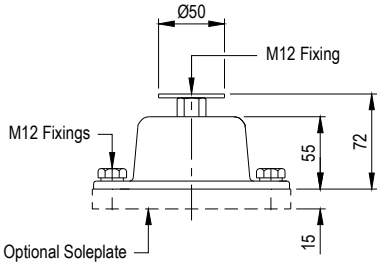
Design Features

- Tested at 40°C ambient with eyebolt at 400°C (300 mm drop rod and turnbuckle fitted) resulted in only 2°C temperature rise at inner rubber surface.
- Rubber insert is moulded in five variants 35, 45, 55, 65 and 70 IRHD (International Rubber Hardness).
- Rubber insert provides excellent high frequency attenuation performance.
- Unit remains captive and fail-safe whether used as a supporting mount or hanger.
- CRM2 has an M12 upper fixing and the CRM3 has an M20 upper fixing.
- Both CRM's can be bolted to the structure with 2 x M12 bolts or supplied fitted with a sole plate to permit fixing by welding.
- Optional heat insulation pad 100 x 100 x 19mm thick available for use with mounting.
- The CRM2 hanger is supplied complete with turnbuckle & eyebolt as standard. The CRM3 hanger is supplied complete with turnbuckle & jaw end as standard. Optional 1m long drop rod available.
- High transverse/axial stiffness ratio ideal for use as a 'flexible anchor'.
- Capable of 15° angular misalignment.

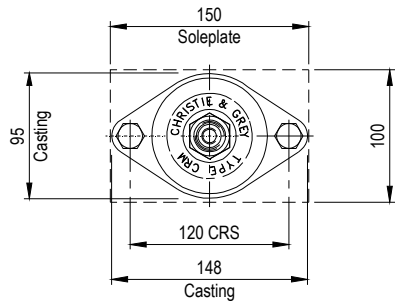
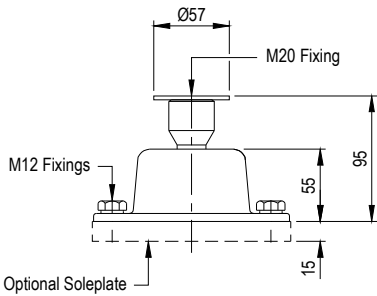
Typical Applications

- Marine Exhaust Systems.
- Industrial Exhaust Systems.
- Ductwork and Attenuators.
- High Speed Rotating Machinery.
- Shock Mount for Control Cabinets, Instrument Racks etc.

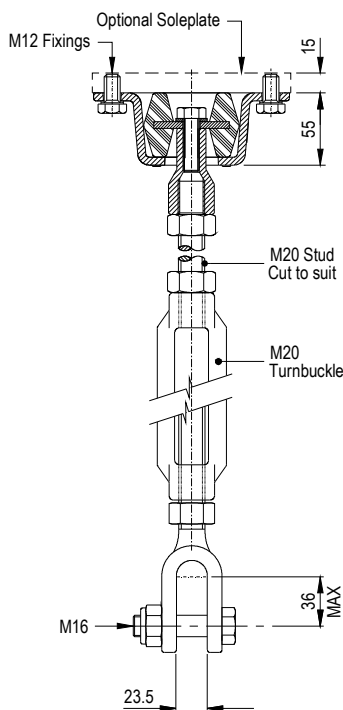
CRM2 MOUNTING M12 FIXING



CRM3 MOUNTING M20 FIXING



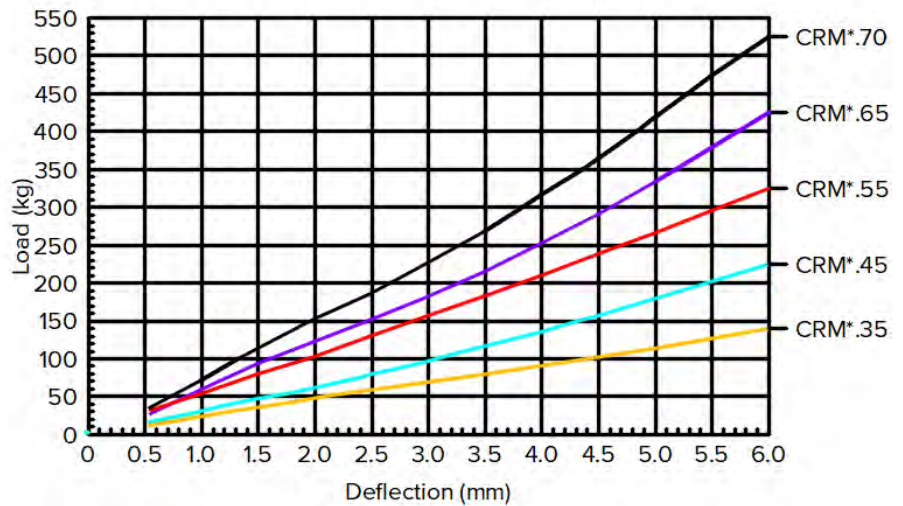
CRM3 HANGER



TYPE CRM MOUNTING & HANGER SIZES 2 & 3

PART No.		CONNECTION FIXING SIZE (mm)	RATED LOAD (kg)	DEFLECTION AT RATED LOAD (mm)	WEIGHT MAX (kg)	
MOUNTING	HANGER				MOUNTING	HANGER
CRM2.35	CRM2.35.H	M12	140	6	1.2	1.5
CRM3.35	CRM3.35.H	M20				3.0
CRM2.45	CRM2.45.H	M12	225	6	1.2	1.5
CRM3.45	CRM3.45.H	M20				3.0
CRM2.55	N/A	M12	325	6	1.2	N/A
CRM3.55	CRM3.55.H	M20				3.0
CRM2.65	N/A	M12	425	6	1.2	N/A
CRM3.65	CRM3.65.H	M20				3.0
CRM2.70	N/A	M12	525	6	1.2	N/A
CRM3.70	CRM3.70.H	M20				3.0

LOAD/DEFLECTION CHARACTERISTICS FOR CRM CAPTIVE RUBBER MOUNTING & HANGER



Application Notes:

- CRM2 has an M12 upper fixing, the CRM3 has an M20 upper fixing. Please note that CRM2 hanger with an M12 fixing is limited to rubber compounds 35° and 45° only.
- The CRM2 hanger is supplied complete with turnbuckle & eyebolt as standard. The CRM3 hanger is supplied complete with turnbuckle & jaw end as standard. Optional 1m long drop rod available.
- We recommend that all fixing bolts used are high tensile Grade 8.8 or higher.
- Optional 15mm thick soleplate available, please specify **PT No. 4149** when ordering.

For full instructions please refer to our datasheets DS081

For more detailed information and technical assistance please contact our Technical Department.

In the interests of continual development, the Company reserve the right to make modifications to these details without notice.



Christie & Grey Ltd

Morley Road,
Tonbridge, Kent
TN9 1RA, England

T: +44 (0)1732 371100
E: sales@christiegrey.com
W: www.christiegrey.com



Christie & Grey
SINCE 1914