

# Marine Rubber Hangers

Type MRH



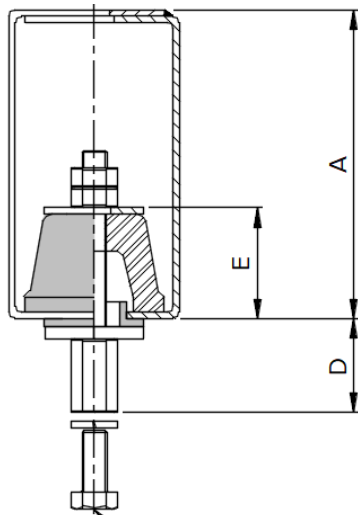
A comprehensive range of rubber hangers offering the designer optimum performance at higher audible frequencies if noise control is of paramount importance.

## Design Features

- Epoxy powder coated steel frame tested to 5 x rated load. Other steel parts are zinc plated.
- Rubber hangers supplied with failsafe steel overload washers.
- Rubber hangers have natural rubber elements with deflections up to 8 mm.
- Unit remains captive and fail-safe.
- Capable of up to 15° angular misalignment.
- Can be fitted in drop rod or direct to supporting structure.
- Supplied complete with a spring washer and set screw lower fixing.

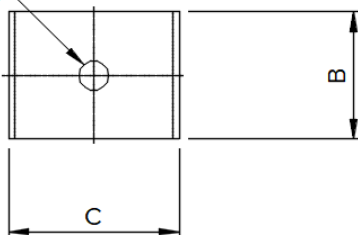
## Typical Applications

- Pipework.
- Axial Fans and Fan Coil Units.
- Ductwork and Attenuators.
- Exhaust Systems.
- Acoustic Ceilings.
- Any other suspended plant.

**TYPE RH \* .M.F**


F Dia Top Fixing Hole

G Connector Size


**TYPE RH \* .M.F MARINE RUBBER HANGERS**

PART No.	COLOUR CODE	RATED LOAD (kg)	DEFLECTION AT RATED	DIMENSIONS (mm)							WT (kg) MAX	
				A	B	C	D	E	F	G		
RH28.M.F	YELLOW	28	6									
RH50.M.F	BLUE	50	6	100	40	55	30.5	36	10	M8	0.38	
RH80.M.F	RED	80	6									
RH110.M.F	YELLOW	110	8									
RH180.M.F	BLUE	180	8	140	70	90	36	52	11	M10	1.4	
RH280.M.F	RED	280	8									

Marine Rubber Hangers are supplied complete with a metric spring washer and set screw lower fixing size G.

Standard set screw as supplied is 20mm long and will suit brackets or plates up to 6.35mm (1/4") thick.

PIPE BORE (mm)	WEIGHT per METRE (kg)	LOAD per HANGER AT TYPICAL SPACINGS (kg)						
		2 m	2.5 m	3 m	3.5 m	4 m	4.5 m	5 m
50	10	20	25	30	-	-	-	-
65	14	28	35	42	49	-	-	-
80	18	36	45	54	63	-	-	-
100	26	52	65	78	91	-	-	-
125	34	68	85	102	119	136	-	-
150	44	88	110	132	154	176	-	-
200	86	172	215	258	-	-	-	-

Pipe weights are based on BS EN 10255, BS EN 10216-1 and BS EN 10217-1 for pipes with maximum volume of water and standard thermal insulation.

**Installation Notes:**

- Pipes should be supported on either side of changes of direction and additional hangers used to support heavy fittings and vertical droppers.
- For larger pipe sizes two hangers can be used at each support position.

**For full instructions please refer to our data sheets DS029.**

**For more detailed information and technical assistance please contact our Technical Department.**

In the interests of continual development, the Company reserve the right to make modifications to these details without notice.



**Christie & Grey Ltd**  
 Morley Road,  
 Tonbridge, Kent

T: +44 (0)1732 371100  
 E: sales@christiegrey.com



**Christie & Grey**  
 SINCE 1914