

Steel Spring Unit Isolators

Type ODL/ODS



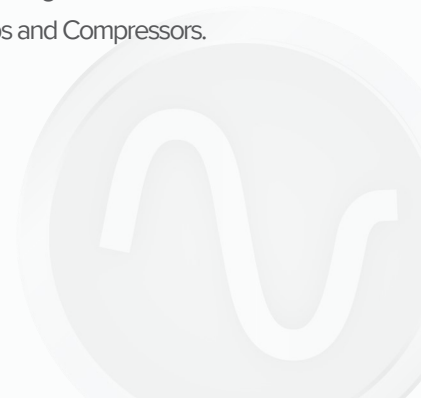
Working under extremely exacting conditions throughout the world, these adjustable steel spring unit isolators have proved outstandingly successful in the control of vibration, structure borne noise and shock. They are made in a large number of sizes so that precise load and frequency requirements can be met and are suitable for the isolation of a very wide range of machinery.

Design Features

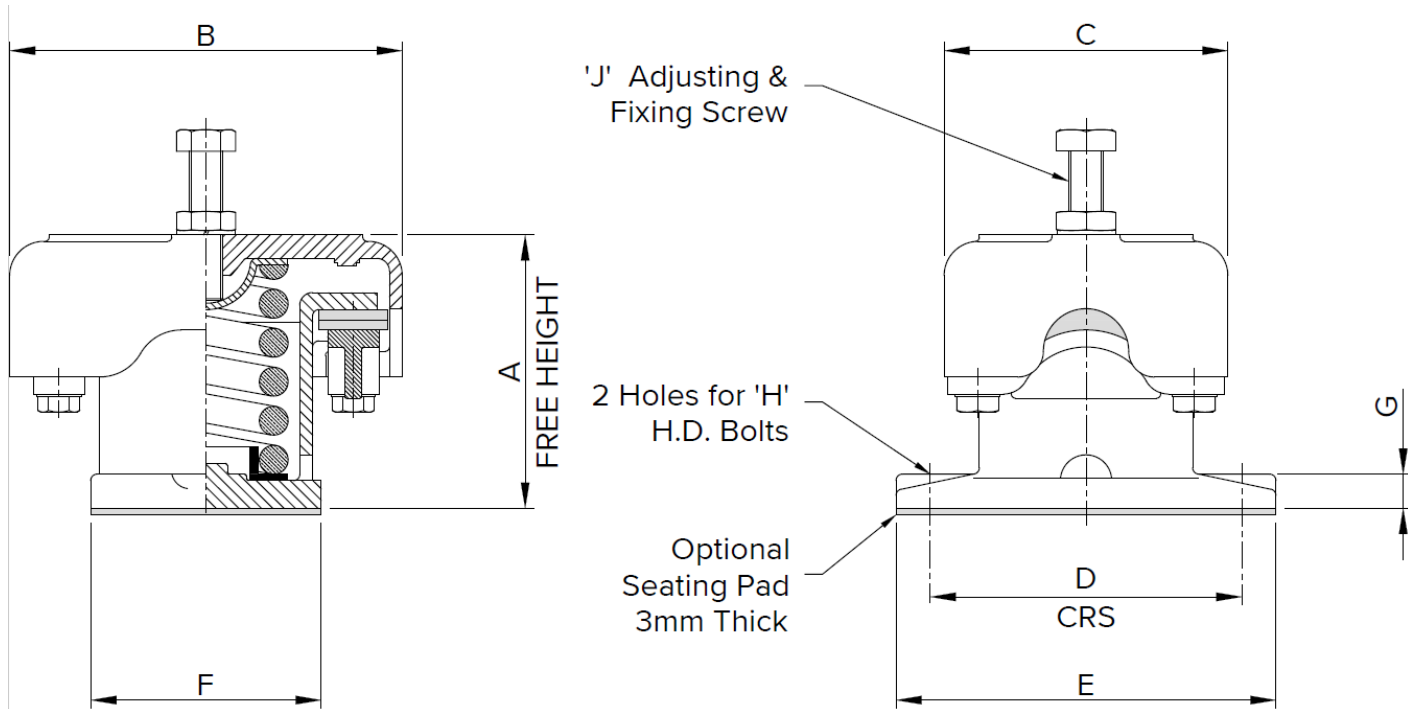
- Vertical and horizontal machine movement, due to dynamic forces can be controlled by turning the adjusting screws on the tops of the isolators - this very desirable feature is not possessed by other types of isolators.
- A very robust construction and conservative spring stresses assure that the life of the isolators is at least equal to that of the isolated machine.
- Helical steel spring to BS 1726 Class B.
- SG iron castings to BS EN 1563 EN-GJS-400/15.
- A ribbed rubber seating pad is available obviating the need for costly HD bolts for many industrial applications.
- ODL and ODS isolators are not detrimentally affected by oil or water and extreme temperatures do not cause any appreciable change in their excellent characteristics.

Typical Applications

- Centrifuges.
- Chillers.
- Engine Test Beds.
- Generating Sets.
- Pumps and Compressors.



TYPE ODL/ODS STEEL SPRING UNIT ISOLATORS



PART No.	COLOUR CODE	LOAD RANGE (kg)	DEFLECTION AT MAX. LOAD (mm)	DIMENSIONS (mm)								WEIGHT MAX (kg)		
				A	B	C	D	E	F	G	H		J	
ODL	ODL/C10A ODL/C15 ODL/C20 ODL/C25 ODL/C30 ODL/C35	YELLOW BLUE GREEN RED BLACK WHITE	264 - 520 322 - 635 410 - 809 532 - 1047 650 - 1280 726 - 1430	13	121	222	160	171	210	130	16	M16	M20 x 100	13.5
	ODL/C40	PURPLE	1200 - 2100	18										
	ODL/D30A ODL/D40 ODL/D50 ODL/D60	BLUE GREEN RED BLACK	650 - 1280 823 - 1623 1026 - 2021 1210 - 2383	13	140	282	197	210	254	165	18	M20	M24 x 100	25.7
	ODL/D70	SILVER	2500 - 5000	19										
ODS	ODS/B100 ODS/B200 ODS/B300 ODS/B400 ODS/B500 ODS/B600 ODS/B700 ODS/B800 ODS/B1000	YELLOW RED PURPLE GREY ORANGE BROWN BLACK GOLD BLUE	53 - 125 106 - 200 159 - 300 211 - 400 264 - 500 317 - 600 380 - 700 433 - 800 528 - 1000	25	128	184	133	146	178	108	16	M12	M16 x 100	9.0
	ODS/D10A ODS/D15 ODS/D20 ODS/D25 ODS/D30	RED YELLOW GREEN BLUE WHITE	213 - 510 431 - 612 556 - 790 718 - 1020 946 - 1344	25	140	282	197	210	254	165	18	M20	M24 x 120	24.3

For full installation instructions please refer to our data sheet DS024.

For more detailed information and technical assistance please contact our Technical Department.

In the interests of continual development, the Company reserve the right to make modifications to these details without notice.



Christie & Grey Ltd

Morley Road,
Tonbridge, Kent
TN9 1RA, England

T: +44 (0)1732 371100
E: sales@christiegrey.com
W: www.christiegrey.com



Christie & Grey
SINCE 1914