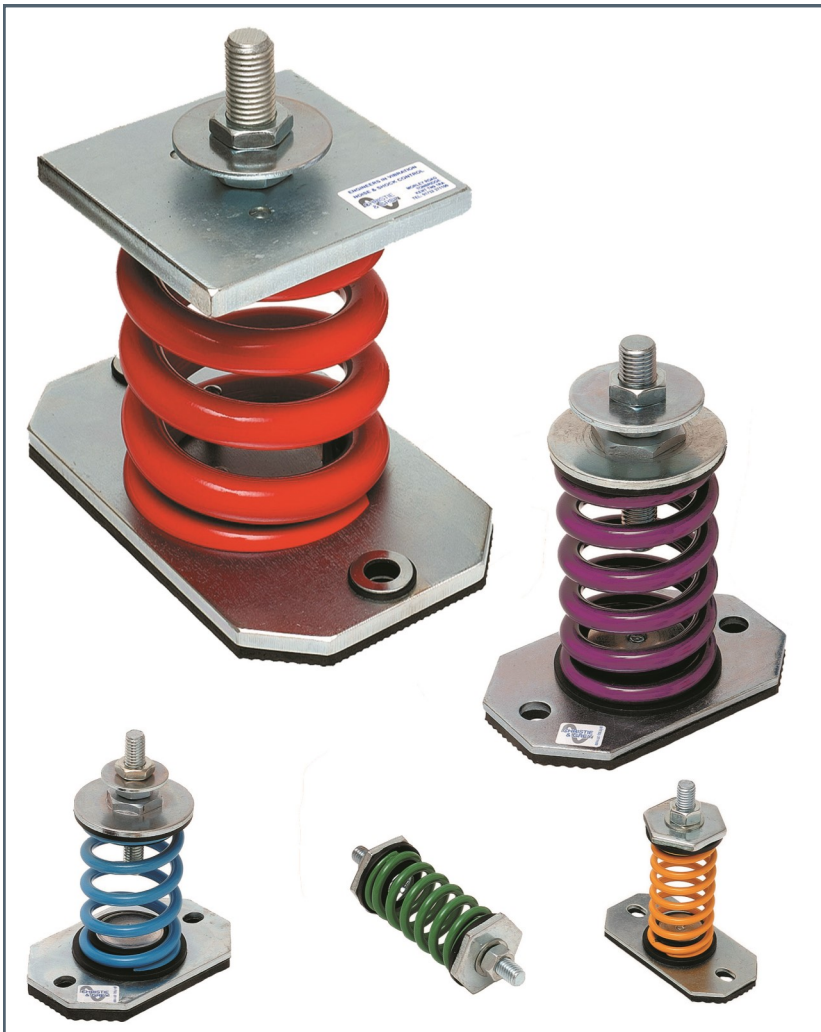


Open Spring Mountings

Type OSB, OSS & OS25



Design Features

- Unique expanding rubber end fixing of springs which also provides high frequency attenuation.
- Nominal 20 & 25mm deflection colour coded helical steel springs to BS1726 Class B with 50% overload capacity and O/D equal to at least 85% of working height.
- Can be bolted to supporting structure or free standing on 6 mm thick ribbed rubber pad (3 mm on OSS).
- Fully height adjustable (OS25).
- All steel components are zinc plated.
- No snubbing gives maximum efficiency.

Typical Applications

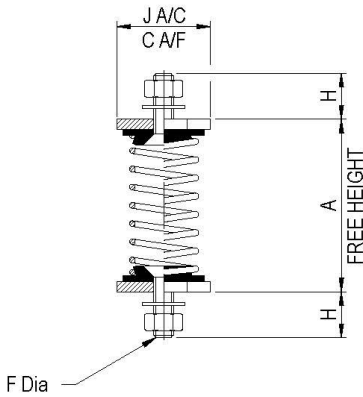
- Axial and Centrifugal Fans
- Air Handling Units
- Low Level Pipework.
- With Inertia Bases type IPF for Pumps, Generating Sets and Compressors etc.

This unique range of Open Spring mountings uses integral rubber end fixing of the springs which sets them apart from all other designs. Larger capacity open spring mountings use rubber grommets and base pads to ensure no direct metal path between the machine and the seating, thus enhancing high frequency noise isolation.

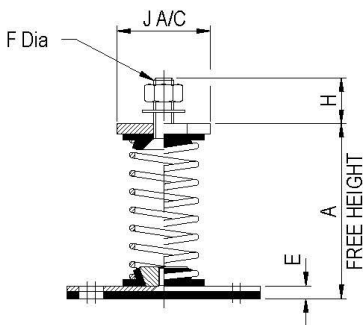
Originally designed for use with Type IPF Inertia Pouring Frames, the OS mountings are now widely used to isolate vibration from every conceivable type of rotating and reciprocating machine. Where control of transient motion is required Open Spring mountings can be used in conjunction with our Viscous Dampers Type SFD.



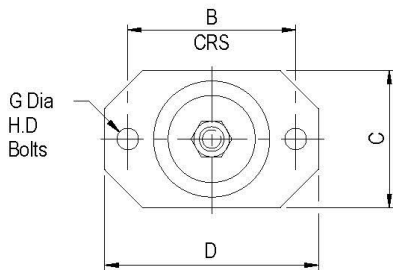
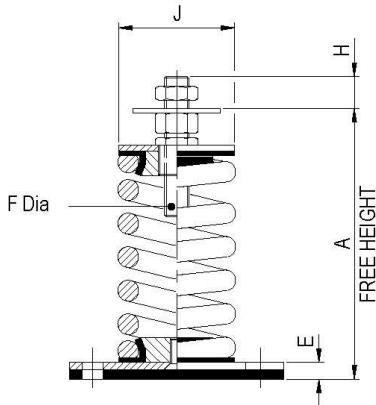
OSB20/10 – OSB15/100



OSS20/10 – OSS15/100



OS25/30 – OS25/2300



TYPE OS MOUNTINGS - SIZES OSB, OSS, OS25

PART No.	COLOUR CODE	RATED LOAD (kg)	DEFLECTION AT RATED LOAD (mm)	DIMENSIONS (mm)										MAX WT (kg)			
				A	B	C	D	E	F	G	H	J					
OSB20/10	PURPLE	10	20														
OSB20/15	YELLOW	15	20														
OSB20/20	GREY	20	20	68	-	32	-	-	M8	-	16	37	0.15				
OSB20/40	GREEN	40	20														
OSB20/70	RED	70	20														
OSB15/100	BLUE	100	15														
OSS20/10	PURPLE	10	20														
OSS20/15	YELLOW	15	20														
OSS20/20	GREY	20	20	69	57	38	76	5	M8	M6	16	37	0.2				
OSS20/40	GREEN	40	20														
OSS20/70	RED	70	20														
OSS15/100	BLUE	100	15														
OS25/30	YELLOW	30	25														
OS25/60	GREEN	60	30														
OS25/100	BLUE	100	25	115	87	70	110	10	M10	M8	20	57	0.9				
OS25/160	WHITE	160	25														
OS25/250	RED	250	25														
OS25/200	RED	200	25														
OS25/300	PURPLE	300	25														
OS25/400	GREY	400	25														
OS25/500	ORANGE	500	25														
OS25/600	BROWN	600	25	152	110	90	140	11	M16	M12	24	76	2.6				
OS25/700	ORANGE/BLACK*	700	25														
OS25/800	BLACK	800	25														
OS25/1000	BLUE	1000	25														
OS25/1200	BLUE/BLACK*	1200	25														
OS25/650	YELLOW	650	26														
OS25/850	GREEN	850	27	176	165	130	200	18	M20	M16	42	130	9				
OS25/1050	BLUE	1050	26														
OS25/1250	WHITE	1250	26														
OS25/1300	RED	1300	27														
OS25/1600	PURPLE	1600	25	225	210	150	250	18	M24	M16	52	150	13				
OS25/2000	GREY	2000	26														
OS25/2300	BROWN	2300	29														

*Internal nested spring.

The top of the mounting is either
 ○ Hexagonal or
 ○ Round
 See Dimension J for information.

Spring Deflection

Spring stiffness is linear over its working range therefore the actual deflection for a given load can be calculated as follows:-

$$\text{Actual Deflection (mm)} = \frac{\text{Actual Load (kg)} \times \text{Rated Deflection (mm)}}{\text{Rated Load (kg)}}$$

ISOLATION EFFICIENCY AT TYPICAL MACHINE SPEEDS

MACHINE SPEEDS (rpm)	EFFICIENCY %	
	15 mm DEFL.	25 mm DEFL.
300	DO NOT USE	34.0
500	68.7	83.3
750	88.1	93.2
1000	93.7	96.3
1200	95.7	97.4
1500	97.3	98.4
1750	98.0	98.8
2000	98.5	99.1

The above figures are theoretical values only based on the vertical natural frequency of the sprung system assuming infinitely stiff structural supports.

The effects of high frequency spring coil resonances on low frequency performance are also ignored.

For full instructions please refer to our data sheet DS027.

For more detailed information and technical assistance please contact our Technical Department.

In the interests of continual development, the Company reserve the right to make modifications to these details without notice.



Christie & Grey Ltd
 Morley Road,
 Tonbridge, Kent
 TN9 1RA, England

T: +44 (0)1732 371100
 E: sales@christiegrey.com
 W: www.christiegrey.com

