

Genflex Rubber Mountings

Type Industrial and Marine Isolators

Sizes B & HD



Genflex mountings employ the well proven inclined rubber element design to achieve much higher deflections compared to simple rubber in compression devices and therefore providing superior isolation of low frequency vibration.

The pure rubber design offers excellent performance in the audible frequency range.

Natural rubber also offers inherent damping to control transient motion resulting from machine start up, run down and fault conditions.

For marine and mobile applications, a combined overload and rebound buffer is available in both the B range and HD (high deflection) variants.

Genflex Marine has Type approval by Korean Register of Shipping and American Bureau of Shipping .

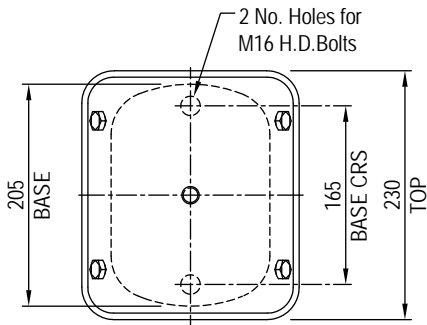
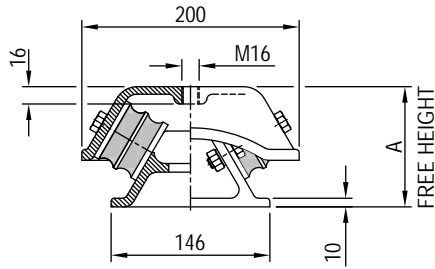
Design Features

- First grade natural rubber to metal bonded rectangular elements inclined to achieve maximum load and deflection using a combination of compression and shear loading.
- High strength SG iron castings to BS EN 1563 EN-GJS-400/15.
- Rubber elements effectively protected against oil contamination by the extended top skirt design of the top casting.
- Two different horizontal stiffness axes enable optimum system characteristics and vibration isolation to be achieved using careful orientation of the mountings.
- Marine/Mobile version available with combined overload and rebound buffer.
- A 6 mm thick ribbed rubber seating pad is available obviating the need for costly HD bolts for many industrial applications.

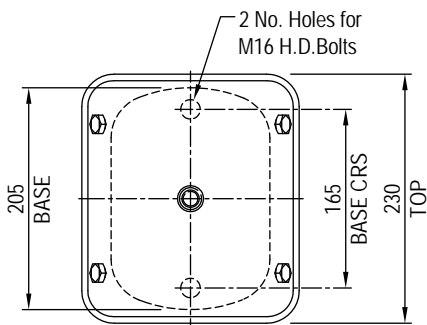
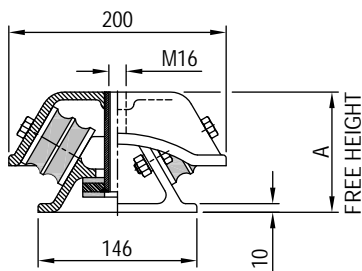
Typical Applications

- Marine Propulsion Engines.
- Diesel Generating Sets.
- Engine Test Beds.
- Lift Motor Gear.
- Chillers and Cooling Towers.
- Large Fans and AHU's.
- Pumps and Compressors.
- Vibrating Screens and Hoppers.

INDUSTRIAL



MARINE



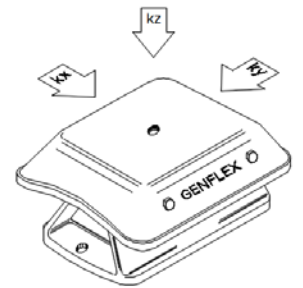
TYPE GENFLEX INDUSTRIAL ISOLATORS SIZES B & HD

REFERENCE	PART No.	LOAD RANGE (kg)	STATIC STIFFNESS (kN/m)			DYNAMIC/STATIC STIFFNESS RATIO	FREE HEIGHT 'A' (mm)	WT MAX (kg)
			kx	ky	kz			
INDUSTRIAL	HD	■ 10.101.35	up to 425	610	125	330	124	9.2
		10.101.45	up to 630	890	205	450		
		10.101.55	up to 990	1280	268	680		
		10.101.60	up to 1280	1820	400	860		
		10.101.70	up to 1650	2360	480	1300		
		■ 10.101.75	up to 2000	3420	750	1800		
INDUSTRIAL	B	10.102.45	up to 560	2450	275	918	111	9.2
		10.102.55	up to 900	3630	360	1400		
		10.102.60	up to 1100	4660	460	1850		
		10.102.70	up to 1650	6370	600	2550		

Stiffness

Static stiffness values should be used to calculate working deflection and therefore operating height.

For system natural frequency calculations, dynamic stiffness values must be used.



TYPE GENFLEX MARINE ISOLATORS SIZES B & HD

REFERENCE	PART No.	LOAD RANGE (kg)	STATIC STIFFNESS (kN/m)			DYNAMIC/STATIC STIFFNESS RATIO	FREE HEIGHT 'A' (mm)	WT (kg) MAX
			kx	ky	kz			
MARINE	HD	■ 10.103.35	250 - 425	610	125	330	117	9.5
		10.103.45	350 - 630	890	205	450		
		10.103.55	550 - 990	1280	268	680		
		10.103.60	725 - 1280	1820	400	860		
		10.103.70	925 - 1650	2360	480	1300		
		■ 10.103.75	1150 - 2000	3420	750	1800		
MARINE	B	10.104.45	200 - 560	2450	275	918	111	9.5
		10.104.55	300 - 900	3630	360	1400		
		10.104.60	375 - 1100	4660	460	1850		
		10.104.70	550 - 1650	6370	600	2550		

Important Notes

For **MARINE** versions the upper fixing bolt (not supplied) **MUST** locate to at least 50 mm and not more than 85 mm thread depth.

- 35 & 75 compound rubber elements are non stock items and therefore to special order only.

Friction Seating Pads

For freestanding applications and installation on uneven surfaces, please specify **PT No. 4137** when ordering. Seating pad 6 mm thick.

For full instructions please refer to our datasheets DS010

For MARINE PROPULSION ENGINES special instructions will normally be supplied for individual applications.

For more detailed information and technical assistance please contact our Technical Department.

In the interests of continual development, the Company reserve the right to make modifications to these details without notice.



Christie & Grey Ltd

Morley Road,
Tonbridge, Kent
TN9 1RA, England

T: +44 (0)1732 371100
E: sales@christiegrey.com
W: www.christiegrey.com



Christie & Grey
SINCE 1914