

Marine Rubber Hangers

Type MRH



A comprehensive range of rubber hangers offering the designer optimum performance at higher audible frequencies if noise control is of paramount importance.

Wide load ranges and fixing requirements are catered for.

DESIGN FEATURES

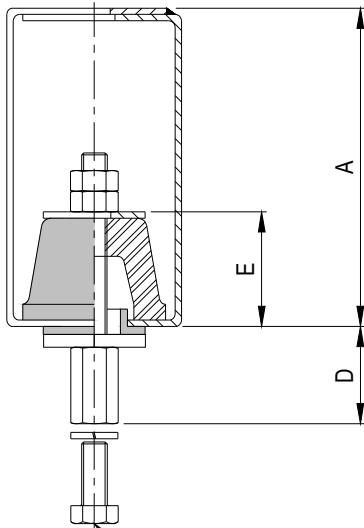
- Epoxy powder coated steel frame tested to 5 x rated load. Other steel parts are zinc plated.
- Rubber hangers supplied with failsafe steel overload washers.
- Rubber hangers have natural rubber elements with deflections up to 8 mm.
- Unit remains captive and fail-safe.
- Capable of up to 15° angular misalignment.
- Can be fitted in drop rod or direct to supporting structure.
- Supplied complete with a spring washer and set screw lower fixing.

TYPICAL APPLICATIONS

- Pipework.
- Axial Fans and Fan Coil Units.
- Ductwork and Attenuators.
- Exhaust Systems.
- Acoustic Ceilings.
- Any other suspended plant.

TYPE RH * .M.F MARINE RUBBER HANGERS

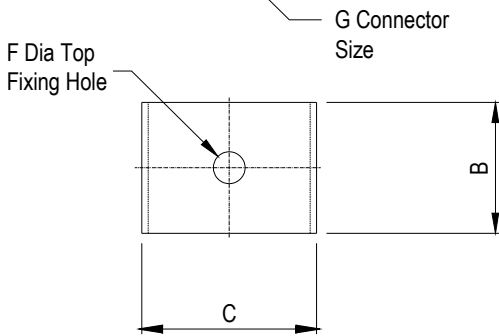
TYPE RH * .M.F



PART No.	COLOUR CODE	RATED LOAD (kg)	DEFLECTION AT RATED LOAD (mm)	DIMENSIONS (mm)							WT (kg) MAX
				A	B	C	D	E	F	G	
RH28.M.F	YELLOW	28	6								
RH50.M.F	BLUE	50	6	100	40	55	30.5	36	10	M8	0.38
RH80.M.F	RED	80	6								
RH110.M.F	YELLOW	110	8								
RH180.M.F	BLUE	180	8	140	70	90	36	52	11	M10	1.4
RH280.M.F	RED	280	8								

Marine Rubber Hangers are supplied complete with a metric spring washer and set screw lower fixing size G.

Standard set screw as supplied is 20mm long and will suit brackets or plates up to 6.35mm (1/4") thick.



PIPE BORE (mm)	WEIGHT per METRE (kg)	LOAD per HANGER AT TYPICAL SPACINGS (kg)						
		2 m	2.5 m	3 m	3.5 m	4 m	4.5 m	5 m
50	10	20	25	30	-	-	-	-
65	14	28	35	42	49	-	-	-
80	18	36	45	54	63	-	-	-
100	26	52	65	78	91	-	-	-
125	34	68	85	102	119	136	-	-
150	44	88	110	132	154	176	-	-
200	86	172	215	258	-	-	-	-

Pipe weights are based on BS EN 10255, BS EN 10216-1 and BS EN 10217-1 for pipes with maximum volume of water and standard thermal insulation.

Installation Notes:

- Pipes should be supported on either side of changes of direction and additional hangers used to support heavy fittings and vertical droppers.
- For larger pipe sizes two hangers can be used at each support position.

For full installation instructions please refer to our data sheet DS029.

For more detailed information and technical assistance please contact our Technical Department.

In the interests of continual development, the Company reserves the right to make modifications to these details without notice.



Christie & Grey Limited

Morley Road, Tonbridge, Kent TN9 1RA, England

Telephone : +44 (0) 1732 371100 • Fax: +44 (0) 1732 359666

E-mail : sales@christiegrey.com • web site: www.christiegrey.com

