

# Steel Spring Unit Isolators

Type ODL/ODS



Working under extremely exacting conditions throughout the world, these adjustable steel spring unit isolators have proved outstandingly successful in the control of vibration, structure borne noise and shock. They are made in a large number of sizes so that precise load and frequency requirements can be met and are suitable for the isolation of a very wide range of machinery.

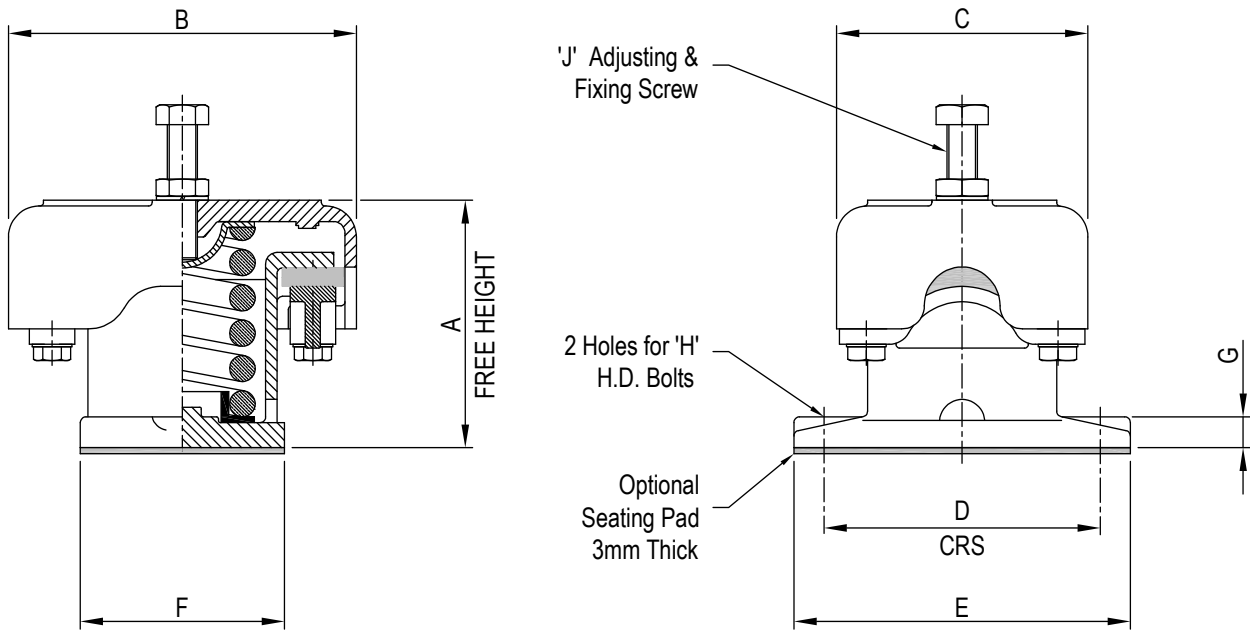
## DESIGN FEATURES

- Vertical and horizontal machine movement, due to dynamic forces can be controlled by turning the adjusting screws on the tops of the isolators - this very desirable feature is not possessed by other types of isolators.
- A very robust construction and conservative spring stresses assure that the life of the isolators is at least equal to that of the isolated machine.
- Helical steel spring to BS 1726 Class B.
- SG iron castings to BS EN 1563 EN-GJS-400/15.
- A ribbed rubber seating pad is available obviating the need for costly HD bolts for many industrial applications.
- ODL and ODS isolators are not detrimentally affected by oil or water and extreme temperatures do not cause any appreciable change in their excellent characteristics.

## TYPICAL APPLICATIONS

- Centrifuges.
- Chillers.
- Engine Test Beds.
- Generating Sets.
- Pumps and Compressors.

TYPE ODL/ODS STEEL SPRING UNIT ISOLATORS



PART No.	COLOUR CODE	LOAD RANGE (kg)	DEFLECTION AT MAX. LOAD (mm)	DIMENSIONS (mm)								WEIGHT (kg) MAX		
				A	B	C	D	E	F	G	H		J	
ODL	ODL/C10A	YELLOW	264 - 520	13	121	222	160	171	210	130	16	M16	M20 x 100	13.5
	ODL/C15	BLUE	322 - 635											
	ODL/C20	GREEN	410 - 809											
	ODL/C25	RED	532 - 1047											
ODL/C30	BLACK	650 - 1280	18	140	282	197	210	254	165	18	M20	M24 x 100	25.7	
ODL/C35	WHITE	726 - 1430												
ODL/C40	PURPLE	1200 - 2100												
ODL/D30A	BLUE	650 - 1280												
ODL/D40	GREEN	823 - 1623	19	128	184	133	146	178	108	16	M12	M16 x 100	9.0	
ODL/D50	RED	1026 - 2021												
ODL/D60	BLACK	1210 - 2383												
ODL/D70	SILVER	2500 - 5000												
ODS	ODS/B100	YELLOW	53 - 125	25	140	282	197	210	254	165	18	M20	M24 x 120	24.3
	ODS/B200	RED	106 - 200											
	ODS/B300	PURPLE	159 - 300											
	ODS/B400	GREY	211 - 400											
	ODS/B500	ORANGE	264 - 500											
	ODS/B600	BROWN	317 - 600											
	ODS/B700	BLACK	380 - 700											
ODS/B800	GOLD	433 - 800												
ODS/B1000	BLUE	528 - 1000												
ODS/D10A	RED	213 - 510	25	140	282	197	210	254	165	18	M20	M24 x 120	24.3	
ODS/D15	YELLOW	431 - 612												
ODS/D20	GREEN	556 - 790												
ODS/D25	BLUE	718 - 1020												
ODS/D30	WHITE	946 - 1344												

For full installation instructions please refer to our data sheet DS024.

For more detailed information and technical assistance please contact our Technical Department.

In the interests of continual development, the Company reserves the right to make modifications to these details without notice.



Christie & Grey Limited

Morley Road, Tonbridge, Kent TN9 1RA, England

Telephone : +44 (0) 1732 371100 • Fax: +44 (0) 1732 359666

E-mail : sales@christiegrey.com • web site: www.christiegrey.com

