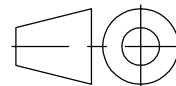


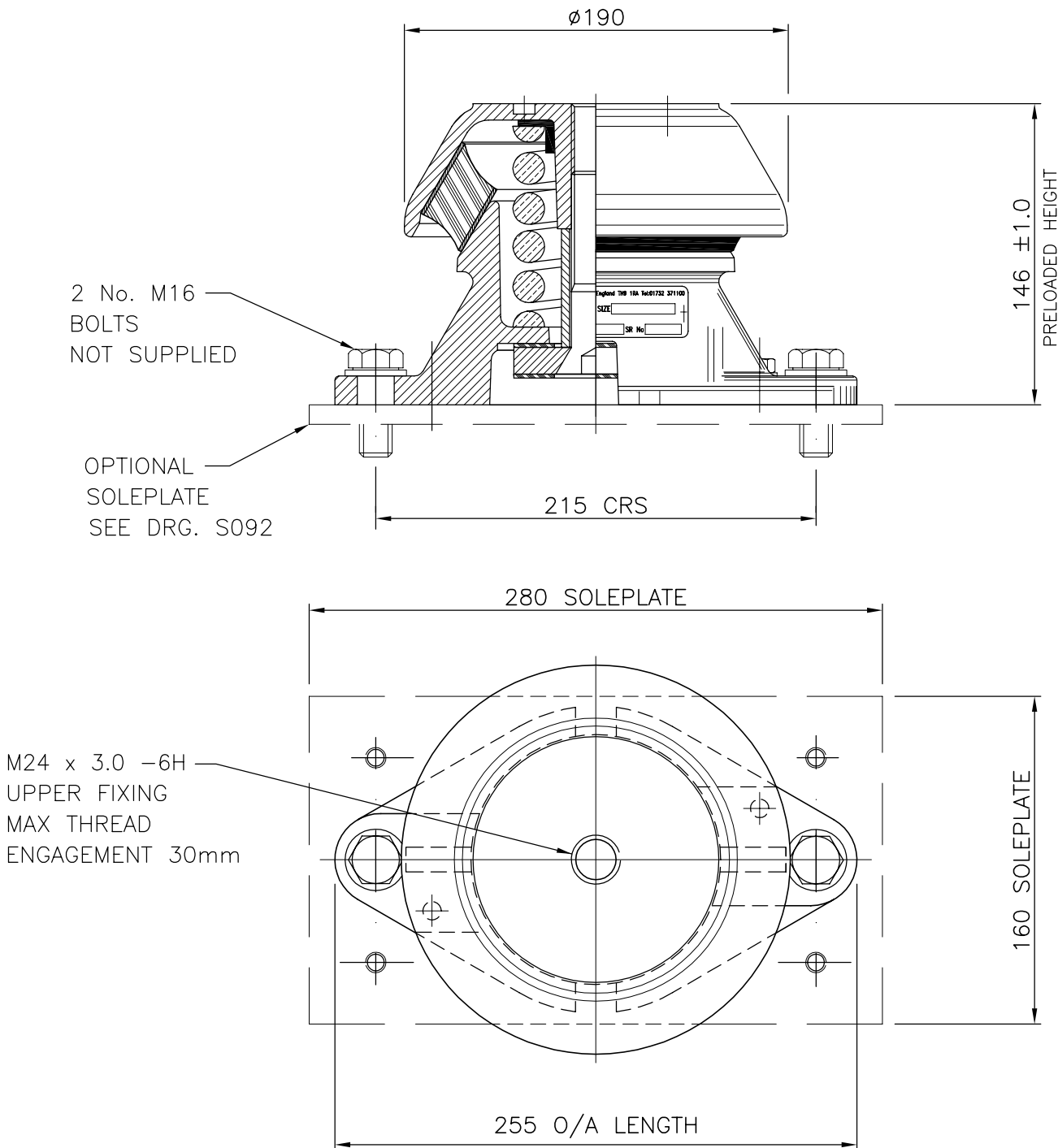
DIMENSIONS IN MILLIMETRES (mm) UNLESS OTHERWISE STATED
 TOLERANCES EXCEPT WHERE OTHERWISE STATED $\pm 0.25\text{mm}$
 NON-CONTROLLED UNLESS STAMPED OTHERWISE.

First angle
 projection




Q
C
F
6
0
I
S
S
U
E
3

GENERAL ASSEMBLY DETAILS for COMBINED STEEL SPRING
 AND RUBBER SPRING UNIT ISOLATOR TYPE TSC, Size TSC T10.



FOR GENERAL DETAILS SEE CHRISTIE & GREY LEAFLET No. PL001.

Drawing No. S 090	A	D	E	F	G	Job No.	 Engineers in vibration, noise and shock control. Christie & Grey Morley Road, Tonbridge, Kent, TN9 1RA England
	17/07/96	19/02/99	17/07/01	08/12/03	02/11/05	Scale N.T.S	
Change note No.	085	111	263	138	Checked P.J.B		