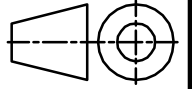


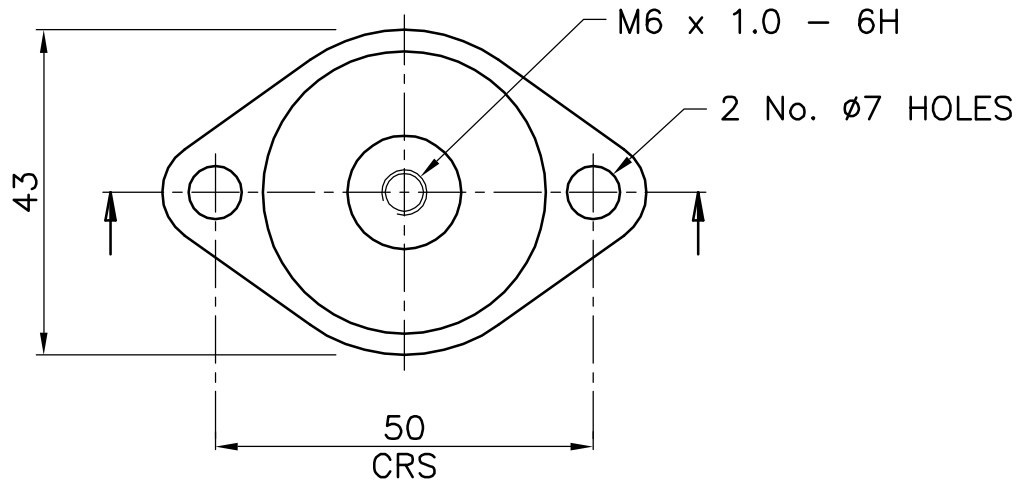
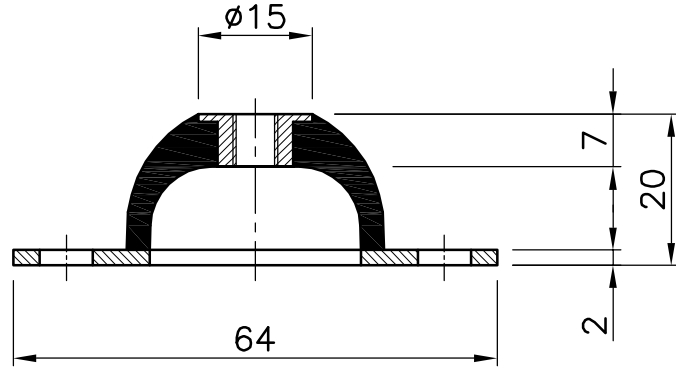
DIMENSIONS IN MILLIMETRES (mm) UNLESS OTHERWISE STATED
 TOLERANCES EXCEPT WHERE OTHERWISE STATED $\pm 0.25\text{mm}$
 NON-CONTROLLED UNLESS STAMPED OTHERWISE.

First angle
 projection

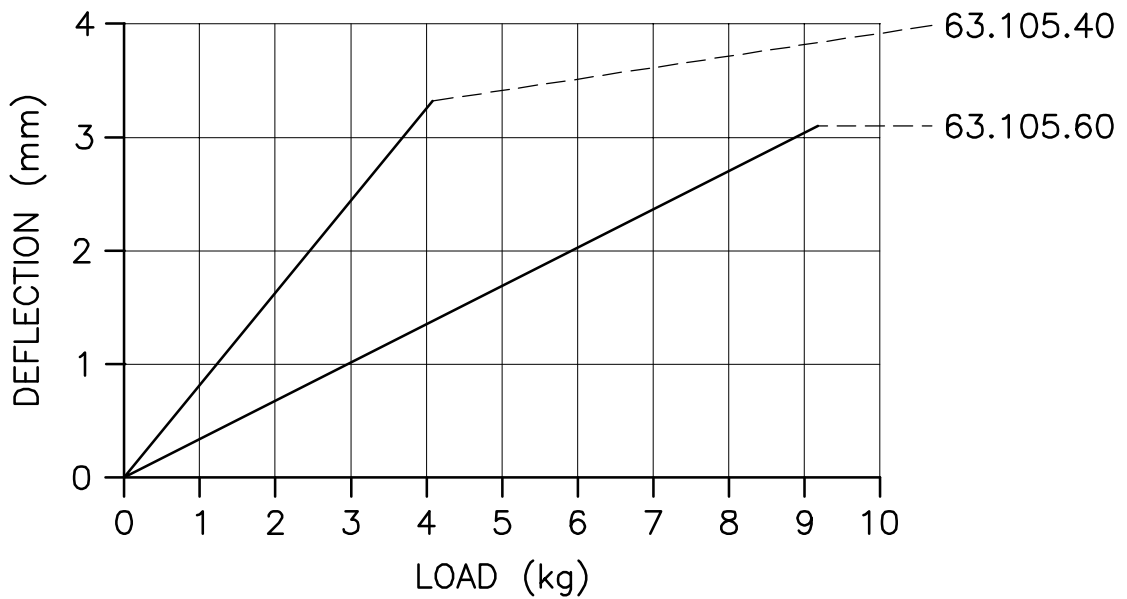


Q
C
F
6
0
1
S
S
U
E
3

DETAILS OF SMALL RUBBER MOUNT
 (Part No's 63.105.40 and 63.105.60)



**LOAD/DEFLECTION CHARACTERISTICS
 FOR SMALL RUBBER MOUNTS**



Drawing No.
S171

A
 20/
 07/
 01

Change note No.

Job No. -

Scale N.T.S

Drawn D.H

Checked A.R.B



Engineers in vibration, noise
 and shock control.
 Christie & Grey
 Morley Road, Tonbridge,
 Kent, TN9 1RA England