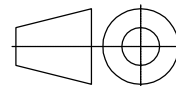


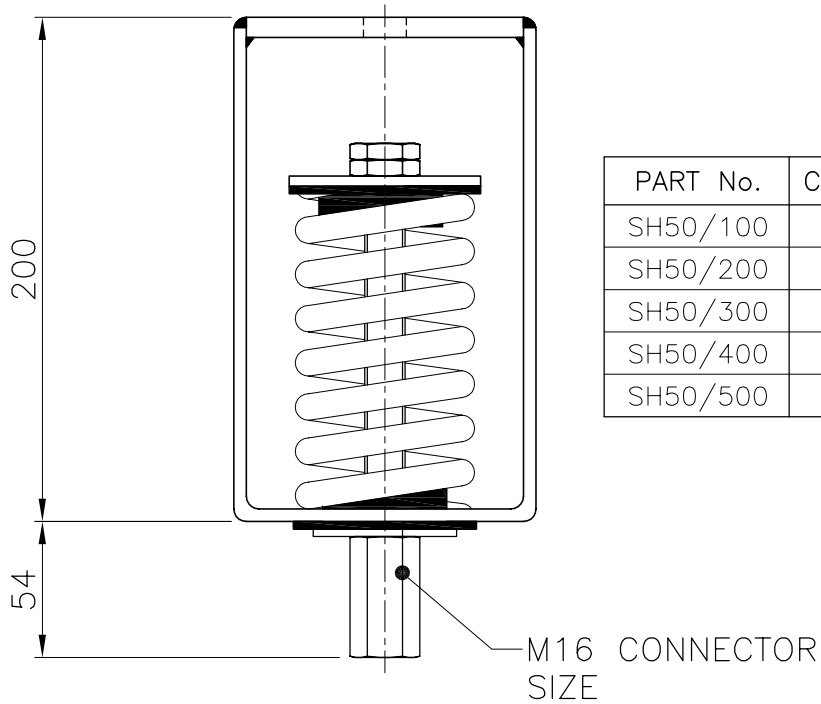
DIMENSIONS IN MILLIMETRES (mm) UNLESS OTHERWISE STATED
 TOLERANCES EXCEPT WHERE OTHERWISE STATED $\pm 0.25\text{mm}$
 NON-CONTROLLED UNLESS STAMPED OTHERWISE.

First angle
 projection

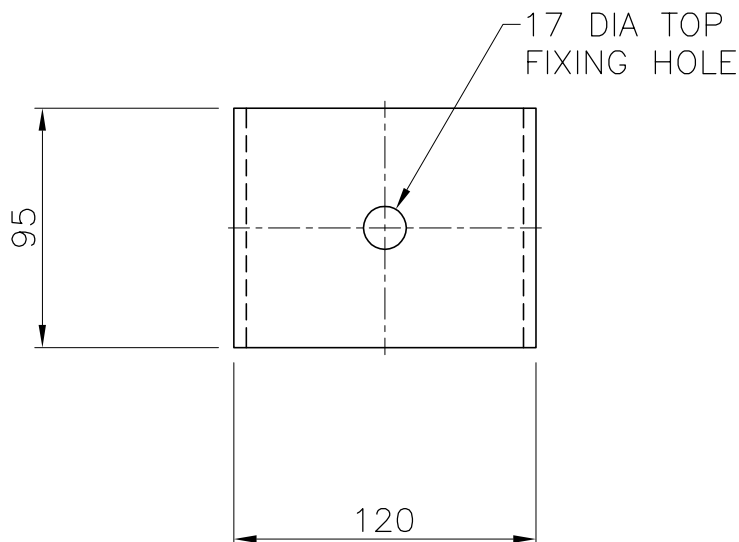


Q
C
C
F
6
0
I
S
S
U
E
3


GENERAL ARRANGEMENT OF SH50/100 – SH50/500 SPRING HANGERS



PART No.	COLOUR CODE
SH50/100	YELLOW
SH50/200	GREEN
SH50/300	BLUE
SH50/400	WHITE
SH50/500	RED/BLACK



FOR GENERAL DETAILS SEE CHRISTIE & GREY LEAFLET PL007.
 FOR INSTALLATION INSTRUCTIONS SEE CHRISTIE & GREY
 DATA SHEET DS 029 & DS COSHH 0001 RESPECTIVELY.

Drawing No. S 133	A	B	C	D	Job No. –	 Engineers in vibration, noise and shock control. Christie & Grey Morley Road, Tonbridge, Kent, TN9 1RA England
	11/10/99	23/03/00	02/08/04	02/11/05	Scale N.T.S.	
Change note No.	102	172	138	Checked A.R.B.		