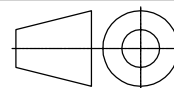


DIMENSIONS IN MILLIMETRES (mm) UNLESS OTHERWISE STATED
 TOLERANCES EXCEPT WHERE OTHERWISE STATED $\pm 0.25\text{mm}$
 NON-CONTROLLED UNLESS STAMPED OTHERWISE.

First angle
 projection

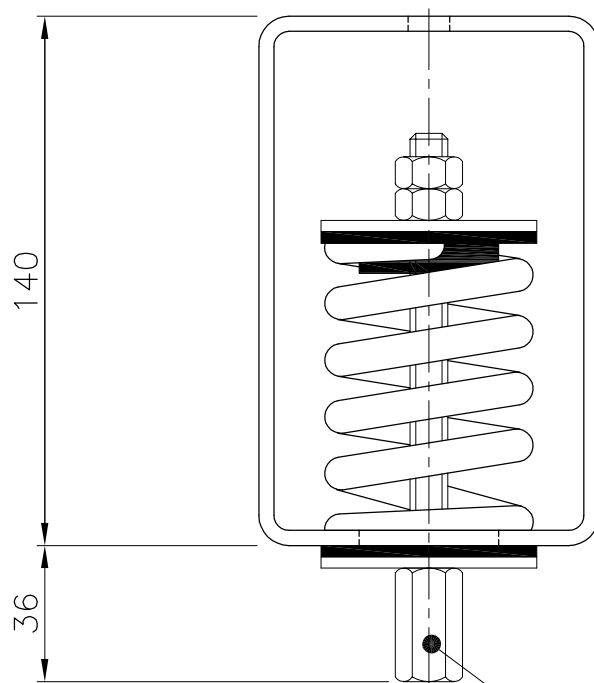


Q
C
F
6
0

I
S
S
U
E

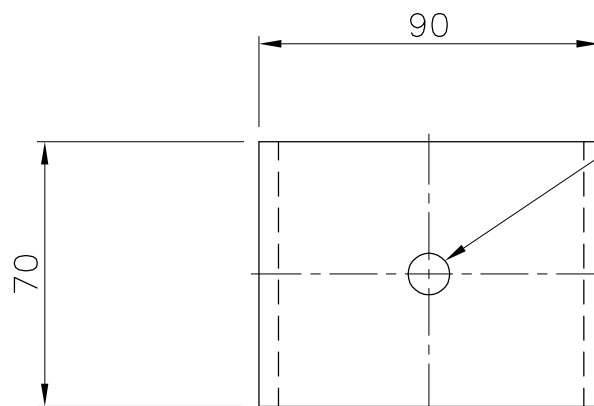
3

GENERAL ARRANGEMENT OF SH30 – SH250
SPRING HANGERS




PART No.	COLOUR CODE
SH25/30	YELLOW
SH25/60	GREEN
SH25/100	BLUE
SH25/160	WHITE
SH25/250	RED

M10 CONNECTOR
 FIXING.



$\phi 11\text{mm}$ TOP
 HOLE FIXING.

FOR GENERAL DETAILS SEE CHRISTIE & GREY LEAFLET PL007.
 FOR INSTALLATION INSTRUCTIONS SEE CHRISTIE & GREY
 DATA SHEET DS 029 & DS COSHH 0001 RESPECTIVELY.

Drawing No. S 131	A	B	C	Job No. —	 Engineers in vibration, noise and shock control. Christie & Grey Morley Road, Tonbridge, Kent, TN9 1RA England
	11/10/99	02/08/04	02/11/05		
Change note No.		172	138	Drawn D.H.	
				Checked A.R.B.	