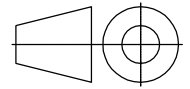


DIMENSIONS IN MILLIMETRES (mm) UNLESS OTHERWISE STATED
 TOLERANCES EXCEPT WHERE OTHERWISE STATED $\pm 0.25\text{mm}$
 NON-CONTROLLED UNLESS STAMPED OTHERWISE.

First angle
 projection

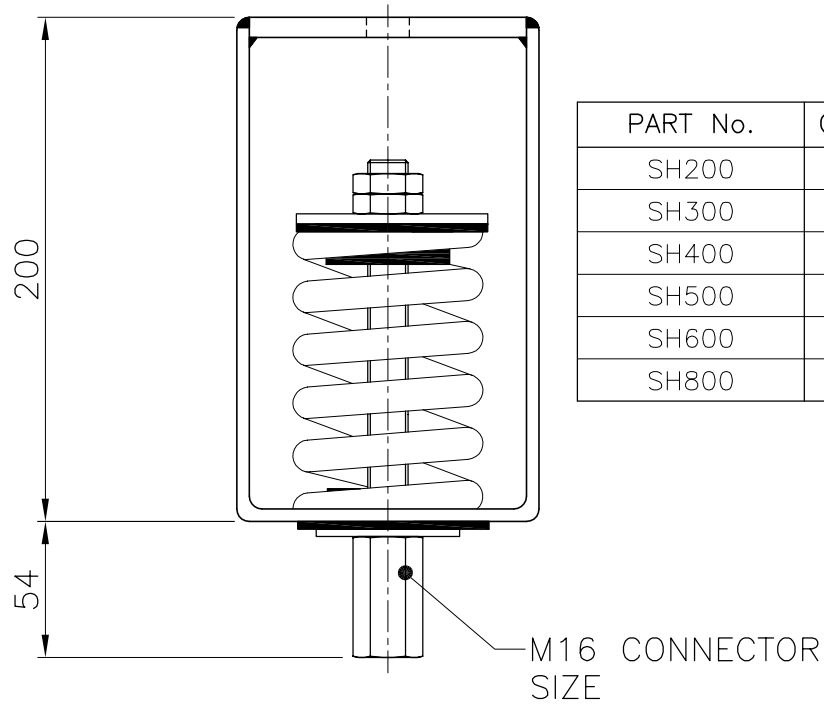


Q
C
F
6
0

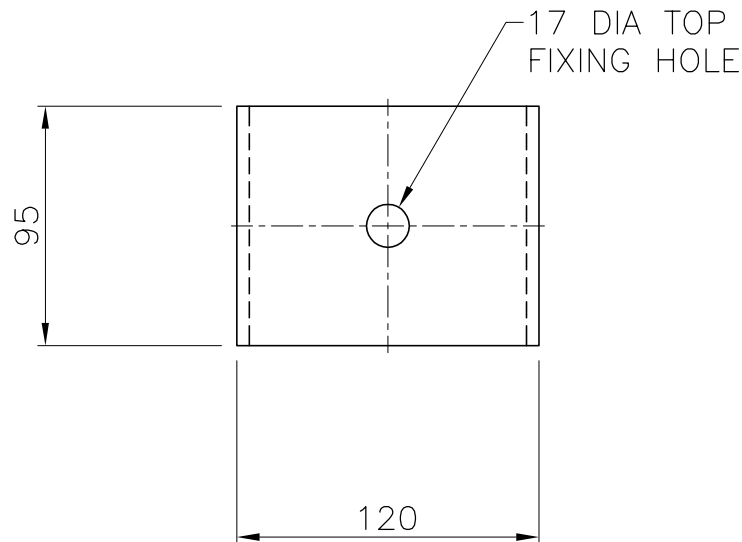
I
S
S
U
E

3


GENERAL ARRANGEMENT OF SH200 – SH800 SPRING HANGERS



PART No.	COLOUR CODE
SH200	RED
SH300	PURPLE
SH400	GREY
SH500	ORANGE
SH600	BROWN
SH800	BLACK



FOR GENERAL DETAILS SEE CHRISTIE & GREY LEAFLET PL007.
 FOR INSTALLATION INSTRUCTIONS SEE CHRISTIE & GREY
 DATA SHEET DS 029 & DS COSHH 0001 RESPECTIVELY.

Drawing No. S 132	A	B	C	Job No. —	 Engineers in vibration, noise and shock control. Christie & Grey Morley Road, Tonbridge, Kent, TN9 1RA England
	11/10/99	02/08/04	02/11/05		
Change note No.	172	138		Drawn D.H.	
				Checked A.R.B.	