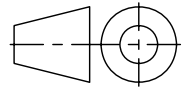


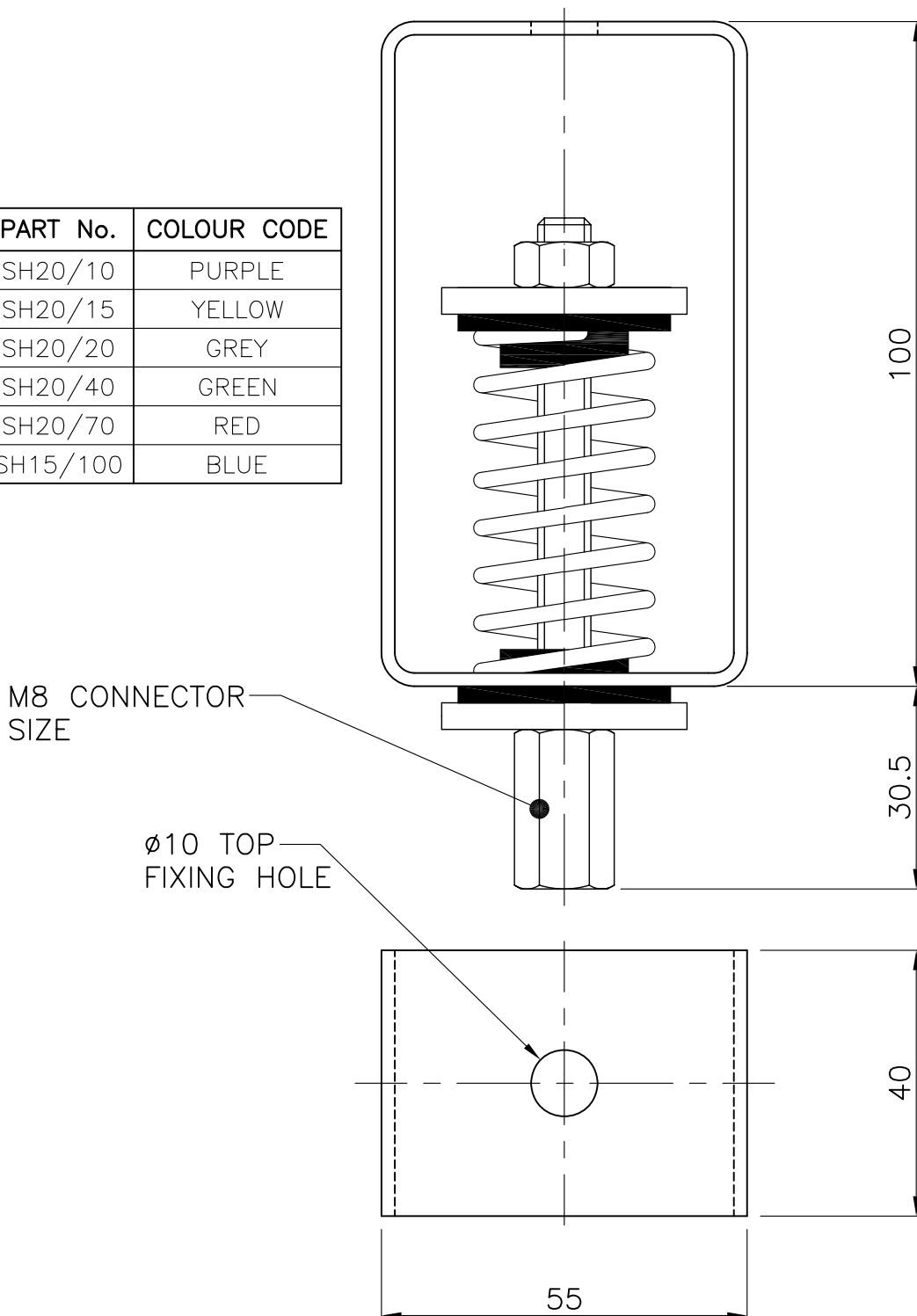
DIMENSIONS IN MILLIMETRES (mm) UNLESS OTHERWISE STATED
 TOLERANCES EXCEPT WHERE OTHERWISE STATED $\pm 0.25\text{mm}$
 NON-CONTROLLED UNLESS STAMPED OTHERWISE.

First angle
 projection




GENERAL ARRANGEMENT OF SH20/10 – SH15/100 SPRING HANGERS

PART No.	COLOUR CODE
SH20/10	PURPLE
SH20/15	YELLOW
SH20/20	GREY
SH20/40	GREEN
SH20/70	RED
SH15/100	BLUE



FOR GENERAL DETAILS SEE CHRISTIE & GREY LEAFLET PL007.
 FOR INSTALLATION INSTRUCTIONS SEE CHRISTIE & GREY
 DATA SHEET DS 029.

Drawing No. S 130	A	B	C	D	Job No. –	 Engineers in vibration, noise and shock control. Christie & Grey Morley Road, Tonbridge, Kent, TN9 1RA England
	11/10/99	02/08/04	02/11/05	20/04/11	Scale 1 : 1	
Change note No.	172	138	047	Checked A.R.B		

Q C C F 6 0 1 S S U E 3