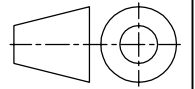


DIMENSIONS IN MILLIMETRES (mm) UNLESS OTHERWISE STATED
 TOLERANCES EXCEPT WHERE OTHERWISE STATED $\pm 0.25\text{mm}$
 NON-CONTROLLED UNLESS STAMPED OTHERWISE.

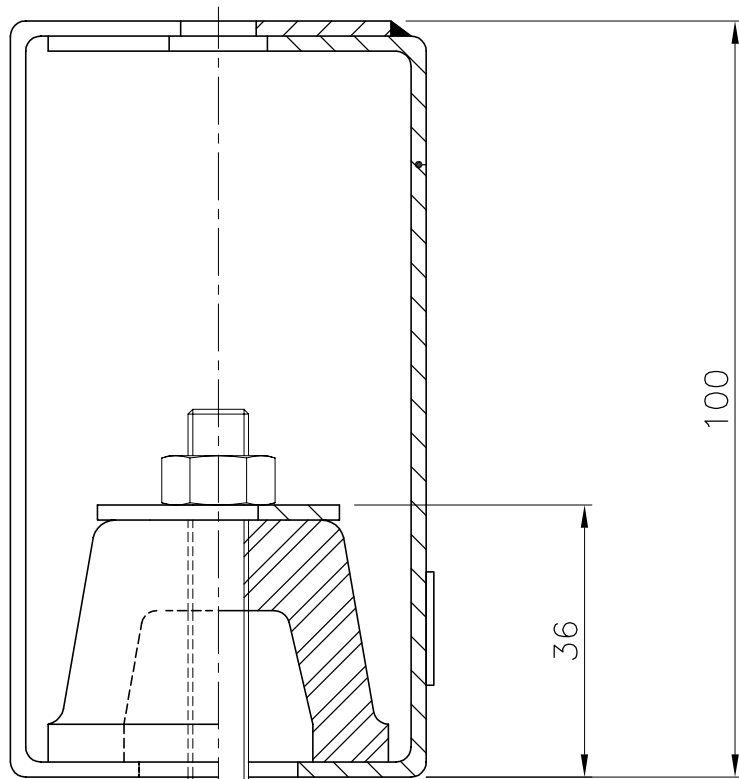
First angle
 projection



Q
C
C
F
6
0
I
S
S
U
E
3

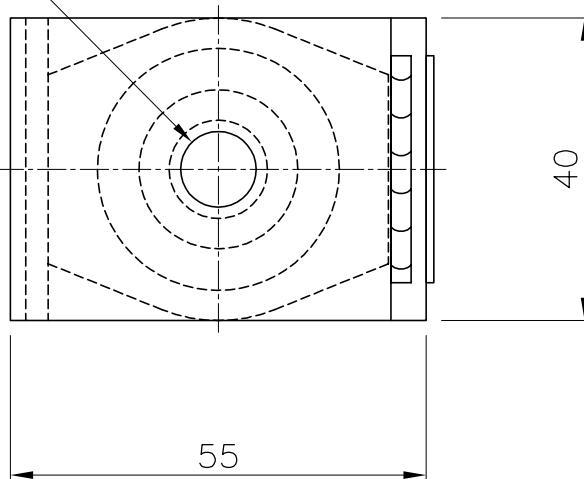
GENERAL ARRANGEMENT OF RH28 – RH80 RUBBER HANGERS

PART No.	COLOUR CODE
RH28	YELLOW
RH50	BLUE
RH80	RED




$\phi 10$ DIA TOP
 FIXING HOLE

M8 DIA STUD
 NOT SUPPLIED



FOR GENERAL DETAILS SEE CHRISTIE & GREY LEAFLET PL007.
 FOR INSTALLATION INSTRUCTIONS SEE CHRISTIE & GREY
 DATA SHEET DS 029 & DS COSHH 0001 RESPECTIVELY.

Drawing No. S134	A	B	Job No.	 Engineers in vibration, noise and shock control. Christie & Grey Morley Road, Tonbridge, Kent, TN9 1RA England
	11/10/99	02/11/05		
Change note No.	138		Drawn D.H	
			Checked A.R.B	