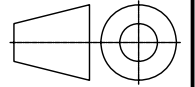


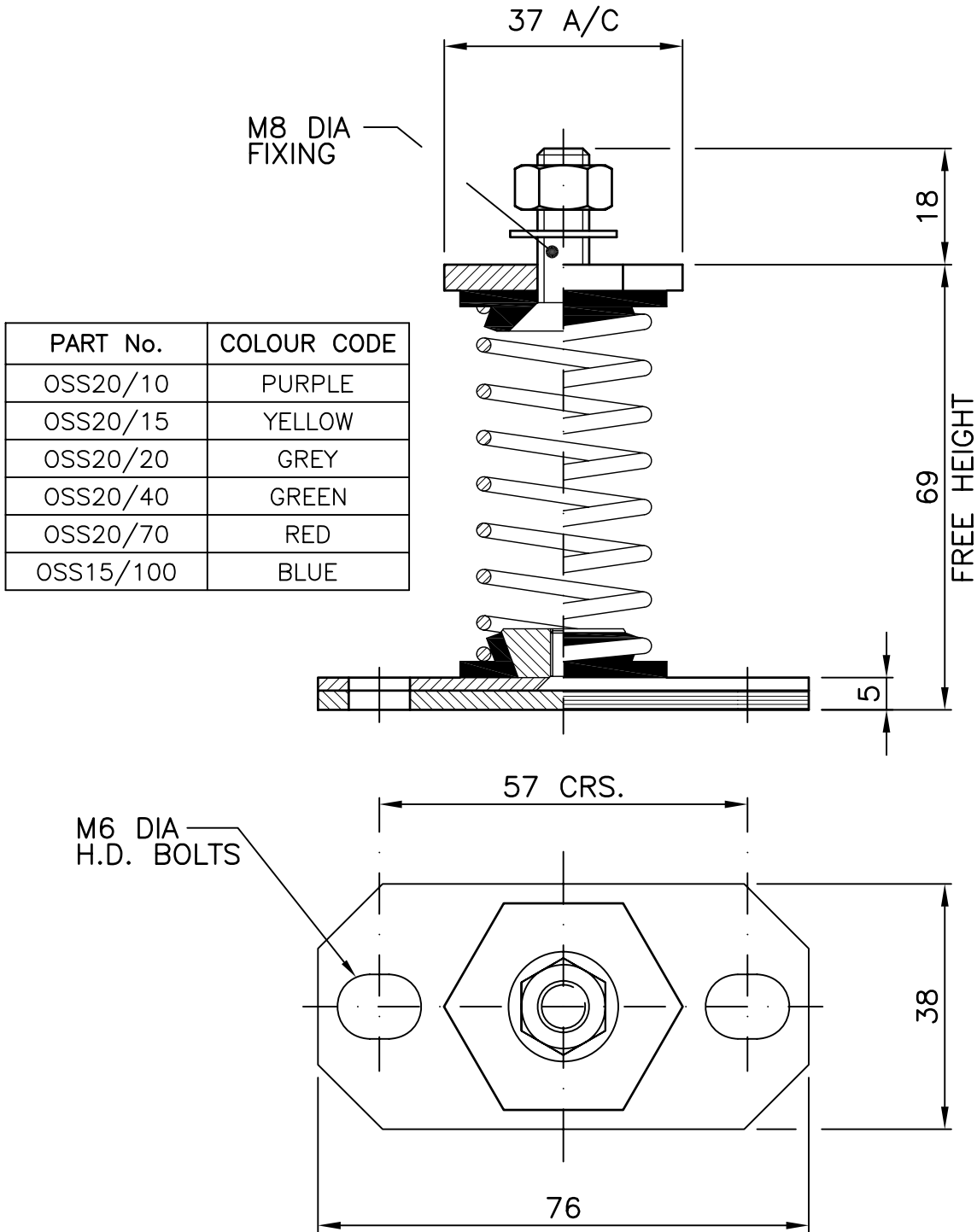
DIMENSIONS IN MILLIMETRES (mm) UNLESS OTHERWISE STATED
 TOLERANCES EXCEPT WHERE OTHERWISE STATED $\pm 0.25\text{mm}$
 NON-CONTROLLED UNLESS STAMPED OTHERWISE.

First angle
 projection



Q
C
C
F
6
0
-
I
S
S
U
E
3

GENERAL ARRANGEMENT OF OSS20/10 – OSS15/100 OPEN SPRING MOUNTINGS



PART No.	COLOUR CODE
OSS20/10	PURPLE
OSS20/15	YELLOW
OSS20/20	GREY
OSS20/40	GREEN
OSS20/70	RED
OSS15/100	BLUE

FOR GENERAL DETAILS SEE CHRISTIE & GREY LEAFLET PL006.
 FOR INSTALLATION INSTRUCTIONS SEE CHRISTIE & GREY
 DATA SHEET DS 027.

Drawing No. S 102	A	B	C	D	Job No. —	Engineers in vibration, noise and shock control. Christie & Grey Morley Road, Tonbridge, Kent, TN9 1RA England
	15/09/99	02/08/04	02/11/05	20/04/11		
Change note No.		172	138	047	Drawn D.H.	Checked P.J.B