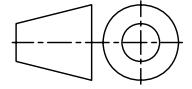


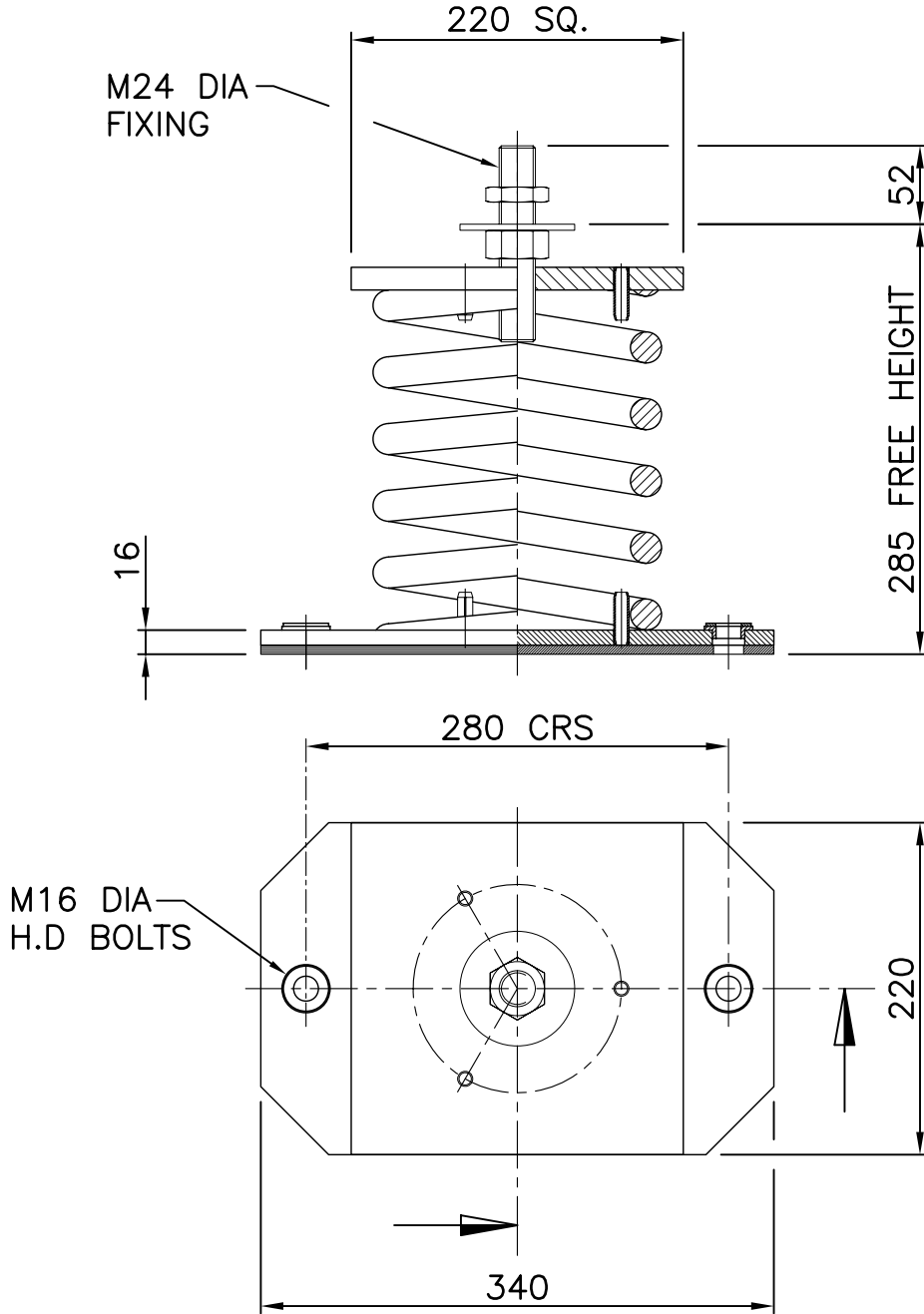
DIMENSIONS IN MILLIMETRES (mm) UNLESS OTHERWISE STATED
 TOLERANCES EXCEPT WHERE OTHERWISE STATED $\pm 0.25\text{mm}$
 NON-CONTROLLED UNLESS STAMPED OTHERWISE.

First angle
 projection



Q160153

GENERAL ARRANGEMENT OF OS75/800 – OS75/1600 OPEN SPRING MOUNTINGS



NOTES

FOR INSTALLATION INSTRUCTIONS SEE
 CHRISTIE & GREY DATA SHEET DS 027.

FOR GENERAL DETAILS SEE CHRISTIE & GREY
 LEAFLET No. PL024.

PART No.	COLOUR CODE
OS75/800	GREY/BLUE
OS75/1000	GREY/WHITE
OS75/1200	GREY/RED
OS75/1400	GREY/PURPLE
OS75/1600	GREY/ORANGE

Drawing No. S 113	A	B	C	D	E	Job No.	Engineers in vibration, noise and shock control. Christie & Grey Morley Road, Tonbridge, Kent, TN9 1RA England
	23/09/99	14/03/00	11/03/04	02/11/05	20/04/11	Scale 1:5	
Change note No.	088	045	138	047	Checked P.J.B		