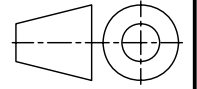


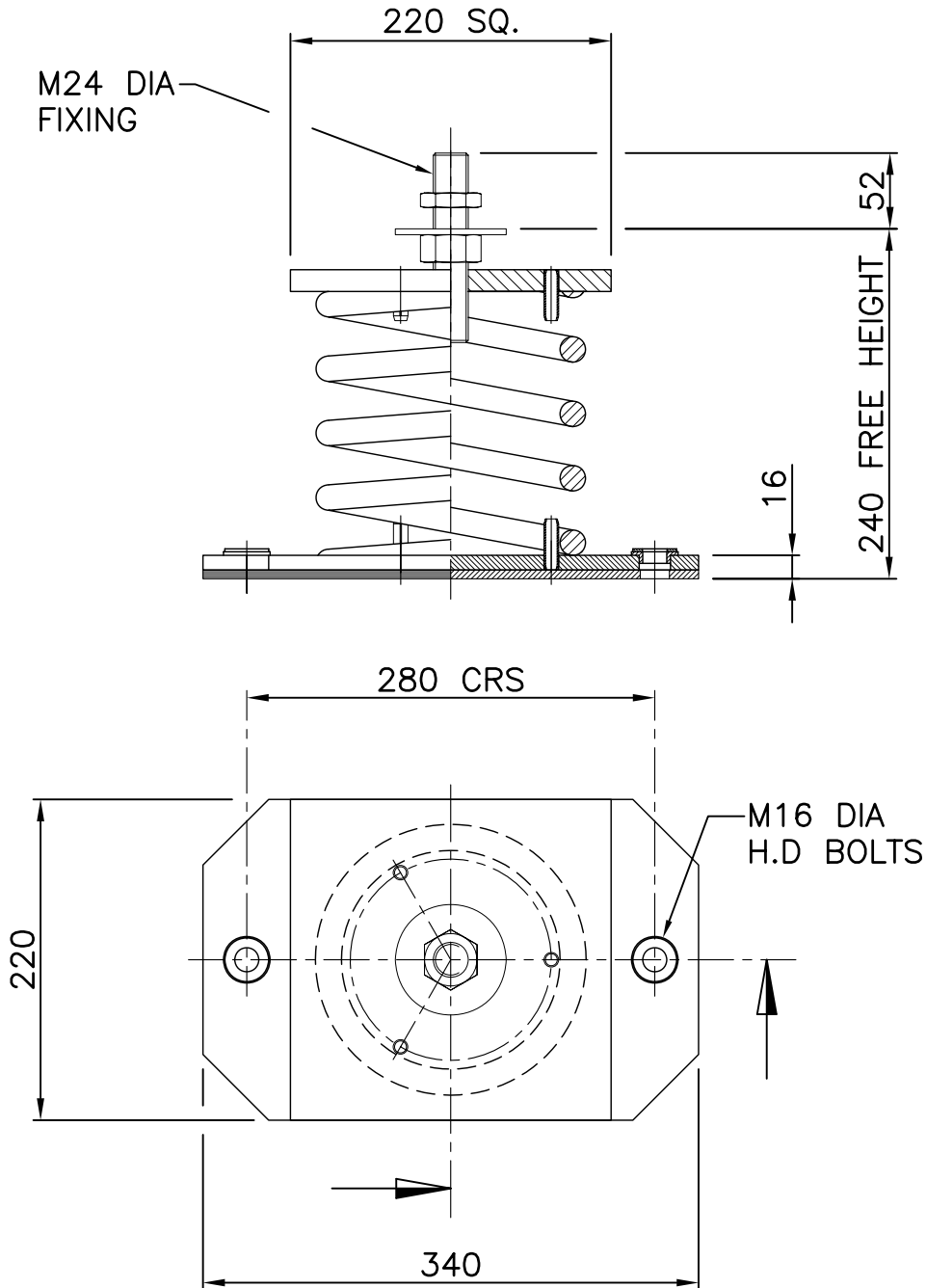
DIMENSIONS IN MILLIMETRES (mm) UNLESS OTHERWISE STATED
 TOLERANCES EXCEPT WHERE OTHERWISE STATED $\pm 0.25\text{mm}$
 NON-CONTROLLED UNLESS STAMPED OTHERWISE.

First angle
 projection



Q C C F 6 0 1 S S C F 3

GENERAL ARRANGEMENT OF OS75/300 – OS75/600 OPEN SPRING MOUNTINGS



NOTES

FOR INSTALLATION INSTRUCTIONS SEE
 CHRISTIE & GREY DATA SHEET DS 027.

FOR GENERAL DETAILS SEE CHRISTIE & GREY
 LEAFLET No. PL024.

PART No.	COLOUR CODE
OS75/300	GREY/BLACK
OS75/400	GREY/YELLOW
OS75/600	GREY/GREEN

Drawing No. S112	A	B	C	D	E	Job No.
	23/09/99	14/03/00	11/03/04	02/11/05	20/04/11	Scale 1:5
Change note No.		088	044	138	047	Drawn D.H
						Checked P.J.B



Engineers in vibration, noise
 and shock control.
 Christie & Grey
 Morley Road, Tonbridge,
 Kent, TN9 1RA England