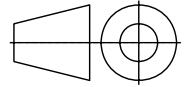
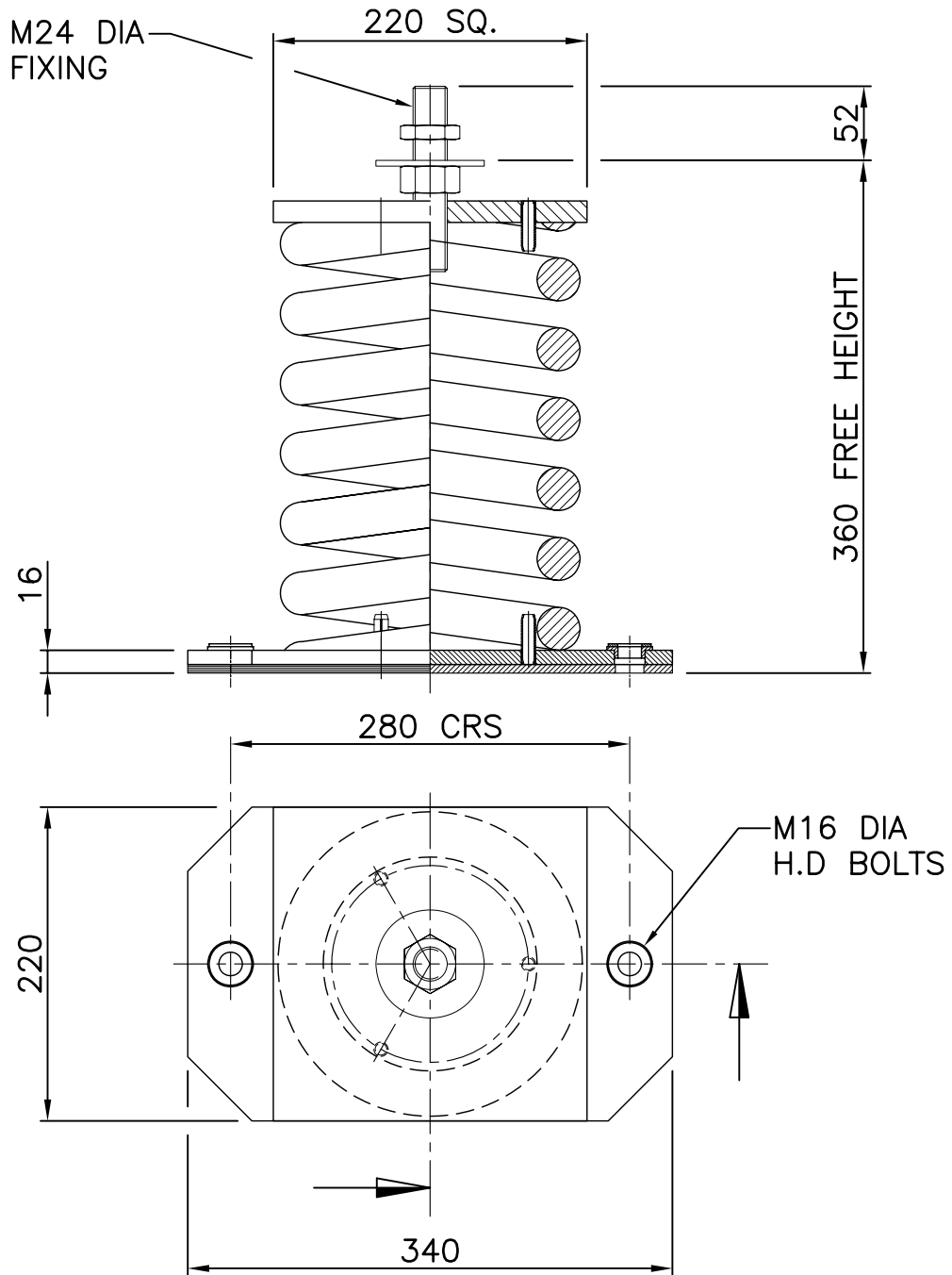


DIMENSIONS IN MILLIMETRES (mm) UNLESS OTHERWISE STATED
 TOLERANCES EXCEPT WHERE OTHERWISE STATED $\pm 0.25\text{mm}$
 NON-CONTROLLED UNLESS STAMPED OTHERWISE.

First angle
 projection



**GENERAL ARRANGEMENT OF OS75/2000 – OS75/3500
 OPEN SPRING MOUNTINGS**




NOTES

FOR INSTALLATION INSTRUCTIONS SEE
 CHRISTIE & GREY DATA SHEET DS 027.

FOR GENERAL DETAILS SEE CHRISTIE & GREY
 LEAFLET No. PL024.

PART No.	COLOUR CODE
OS75/2000	GREY/BROWN
OS75/2500	RED
OS75/3200	GREY/BLACK
OS75/3500	BLACK

Drawing No. S 114	A	B	C	D	E	Job No.	 Engineers in vibration, noise and shock control. Christie & Grey Morley Road, Tonbridge, Kent, TN9 1RA England
	23/09/99	14/03/00	11/03/04	02/11/05	20/04/11	Scale 1:5	
Change note No.	088	046	138	047	Checked P.J.B		

Q C C F 6 0 1 S S C F 3