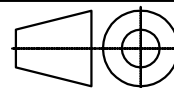
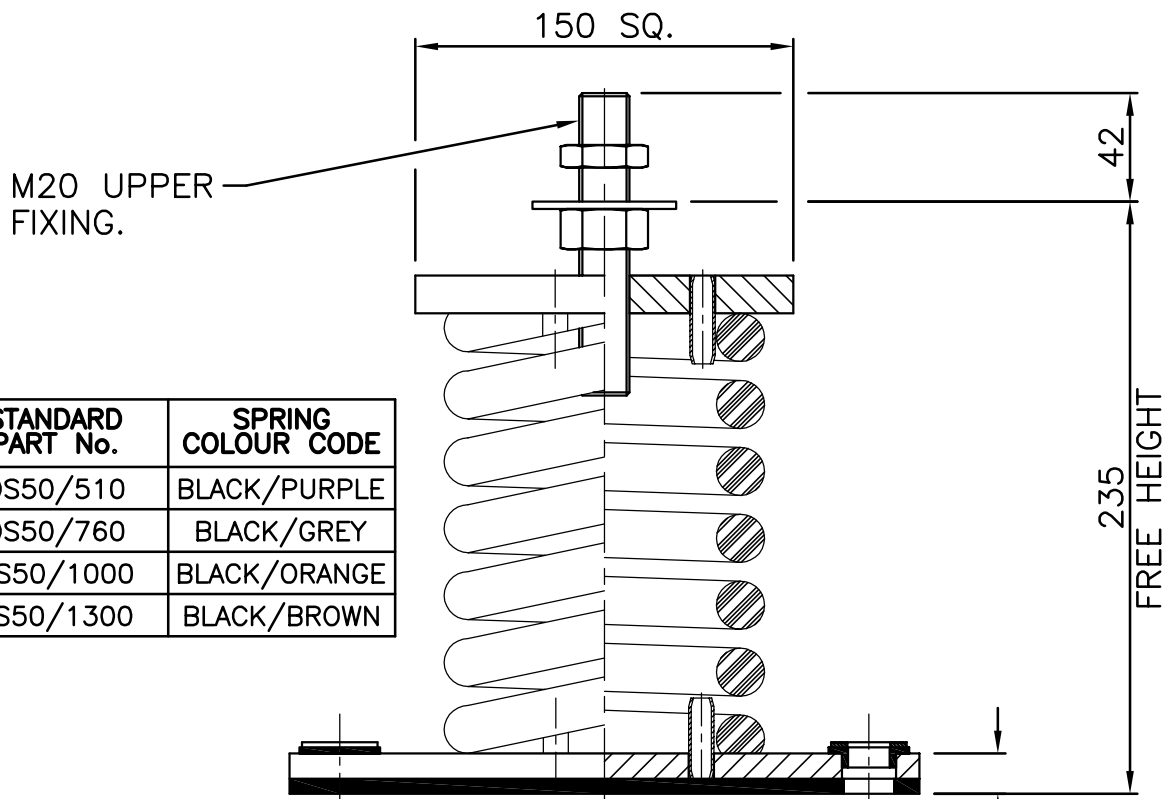


DIMENSIONS IN MILLIMETRES (mm) UNLESS OTHERWISE STATED
 TOLERANCES EXCEPT WHERE OTHERWISE STATED $\pm 0.25\text{mm}$
 NON-CONTROLLED UNLESS STAMPED OTHERWISE.

First angle
 projection

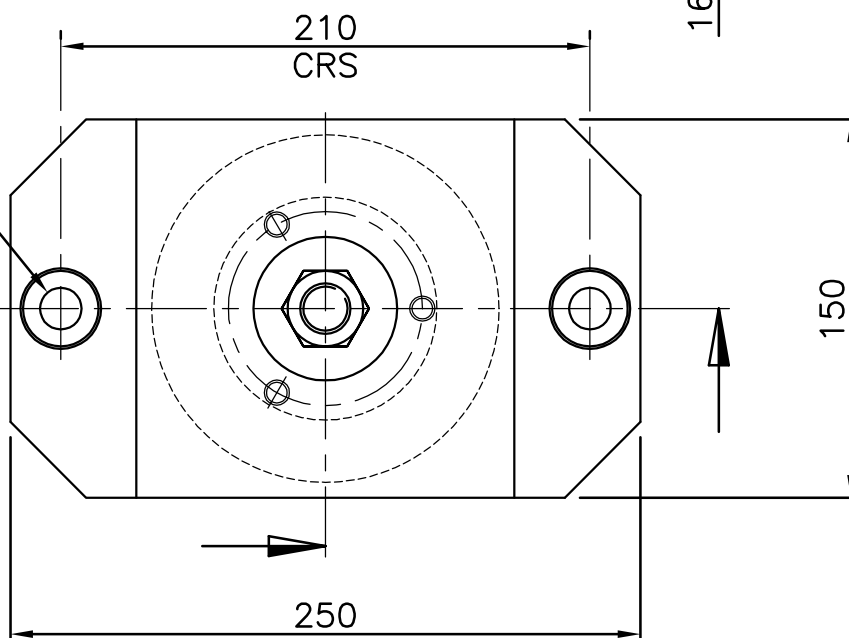


GENERAL ARRANGEMENT OF OS50/510 – OS50/1300 OPEN SPRING MOUNTINGS



STANDARD PART No.	SPRING COLOUR CODE
OS50/510	BLACK/PURPLE
OS50/760	BLACK/GREY
OS50/1000	BLACK/ORANGE
OS50/1300	BLACK/BROWN

2 No. HOLES FOR M16 H.D. BOLTS.



FOR GENERAL DETAILS SEE CHRISTIE & GREY LEAFLET No. PL024.
 FOR INSTALLATION INSTRUCTIONS REFER TO CHRISTIE & GREY
 DATA SHEETS DS 027 & DS COSHH 0001.

Drawing No.
S187

A	B	C
11/02/03	09/07/04	02/11/05
	139	138

Change note No.

Job No.
 Scale N.T.S.
 Drawn M.W.
 Checked A.N.M.



Engineers in vibration, noise
 and shock control.
 Christie & Grey
 Morley Road, Tonbridge,
 Kent, TN9 1RA England

QFC60155CFC3