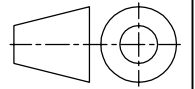
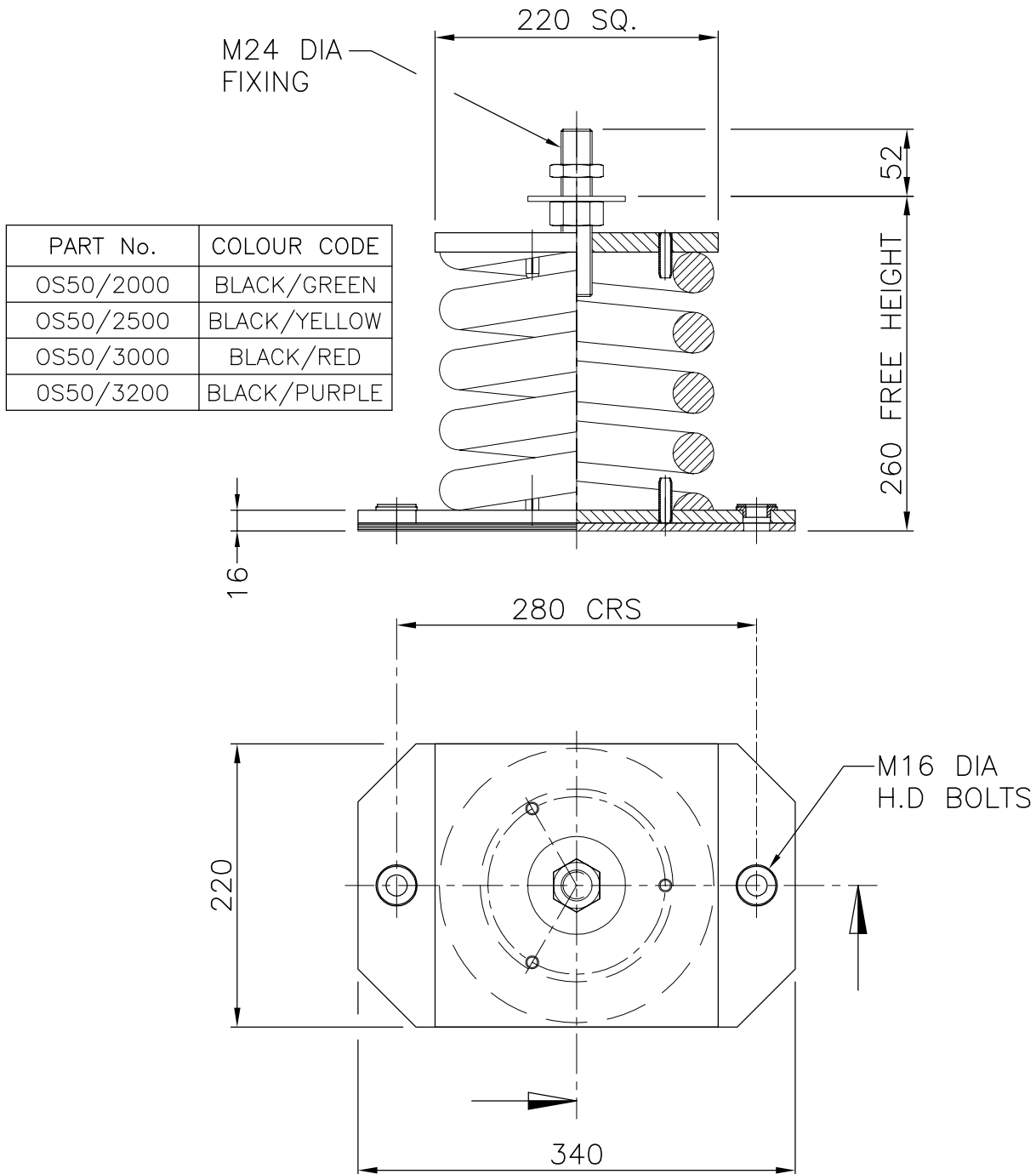


DIMENSIONS IN MILLIMETRES (mm) UNLESS OTHERWISE STATED
 TOLERANCES EXCEPT WHERE OTHERWISE STATED $\pm 0.25\text{mm}$
 NON-CONTROLLED UNLESS STAMPED OTHERWISE.

First angle
 projection



GENERAL ARRANGEMENT OF OS50/2000 – OS50/3200 OPEN SPRING MOUNTINGS



PART No.	COLOUR CODE
OS50/2000	BLACK/GREEN
OS50/2500	BLACK/YELLOW
OS50/3000	BLACK/RED
OS50/3200	BLACK/PURPLE

FOR GENERAL DETAILS SEE CHRISTIE & GREY LEAFLET PL024.
 FOR INSTALLATION INSTRUCTIONS SEE CHRISTIE & GREY
 DATA SHEET DS 027 & DS COSHH 0001 RESPECTIVELY.

Drawing No. S 111	A	B	C	D	E	Job No. –	Engineers in vibration, noise and shock control. Christie & Grey Morley Road, Tonbridge, Kent, TN9 1RA England
	23/09/99	14/03/00	09/07/04	02/08/04	02/11/05	Scale 1 : 5	
Change note No.	088	139	172	138	Checked P.J.B	Drawn D.H	

Q C C F 6 0 1 S S U E 3