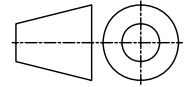
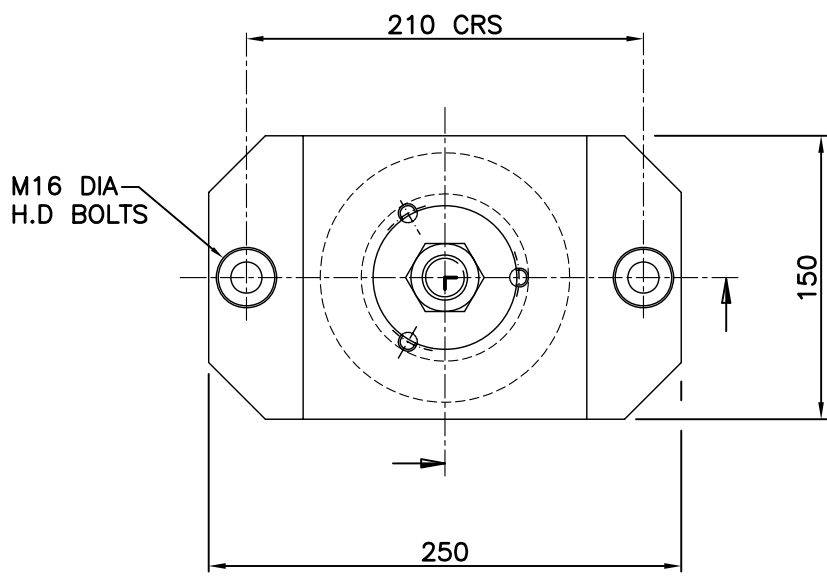
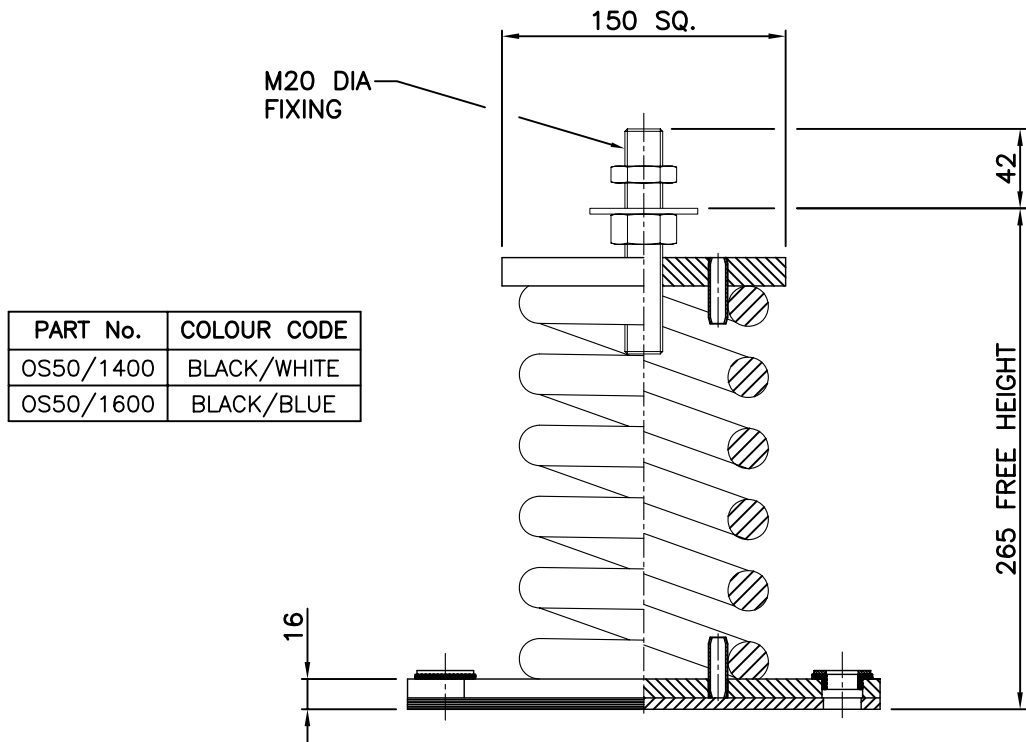


DIMENSIONS IN MILLIMETRES (mm) UNLESS OTHERWISE STATED  
 TOLERANCES EXCEPT WHERE OTHERWISE STATED  $\pm 0.25\text{mm}$   
 NON-CONTROLLED UNLESS STAMPED OTHERWISE.


First angle  
 projection



## GENERAL ARRANGEMENT OF OS50/1400 – OS50/1600 OPEN SPRING MOUNTINGS



FOR GENERAL DETAILS SEE CHRISTIE & GREY LEAFLET PL024.  
 FOR INSTALLATION INSTRUCTIONS SEE CHRISTIE & GREY  
 DATA SHEET DS 027.

Drawing No. <b>S 110</b>	A	B	C	D		Job No. –	 Engineers in vibration, noise and shock control. Christie & Grey Morley Road, Tonbridge, Kent, TN9 1RA England
	23/09/99	02/08/04	02/11/05	20/04/11		Scale N.T.S.	
Change note No.						Drawn D.H.	
		172	138	047		Checked P.J.B.	

Q  
 F  
 6  
 0  
 –  
 S  
 S  
 C  
 E  
 3