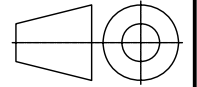


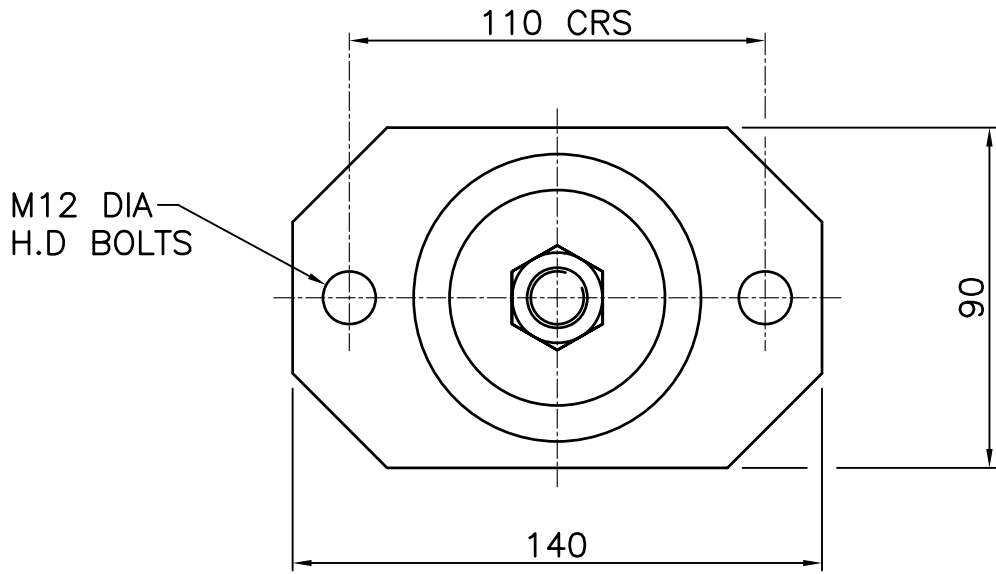
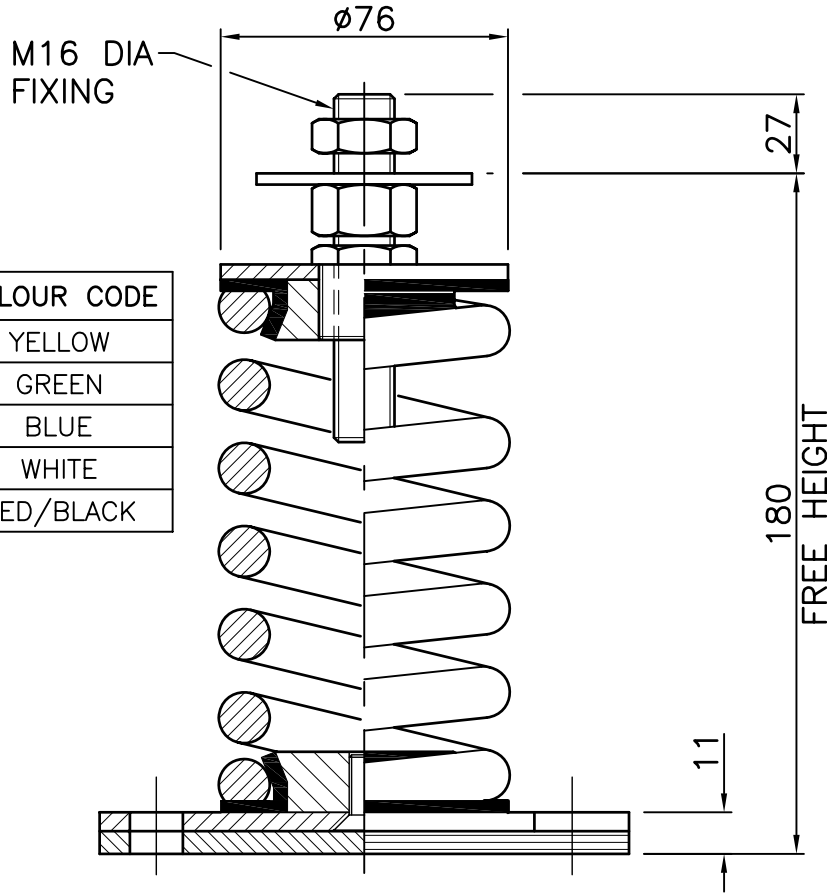
DIMENSIONS IN MILLIMETRES (mm) UNLESS OTHERWISE STATED
 TOLERANCES EXCEPT WHERE OTHERWISE STATED $\pm 0.25\text{mm}$
 NON-CONTROLLED UNLESS STAMPED OTHERWISE.

First angle
 projection



GENERAL ARRANGEMENT OF OS50/100 – OS50/500 OPEN SPRING MOUNTINGS

PART No.	COLOUR CODE
OS50/100	YELLOW
OS50/200	GREEN
OS50/300	BLUE
OS50/400	WHITE
OS50/500	RED/BLACK



FOR GENERAL DETAILS SEE CHRISTIE & GREY LEAFLET PL006.
 FOR INSTALLATION INSTRUCTIONS SEE CHRISTIE & GREY
 DATA SHEET DS 027.

Drawing No. S 105	A	B	C	D	Job No. –	Engineers in vibration, noise and shock control. Christie & Grey Morley Road, Tonbridge, Kent, TN9 1RA England
	20/09/99	02/08/04	02/11/05	20/04/11		
Change note No.		172	138	047	Drawn D.H.	
					Checked P.J.B	

Q
 6
 0
 –
 S
 S
 C
 E
 3