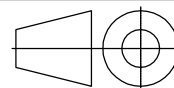


DIMENSIONS IN MILLIMETRES (mm) UNLESS OTHERWISE STATED
 TOLERANCES EXCEPT WHERE OTHERWISE STATED $\pm 0.25\text{mm}$
 NON-CONTROLLED UNLESS STAMPED OTHERWISE.

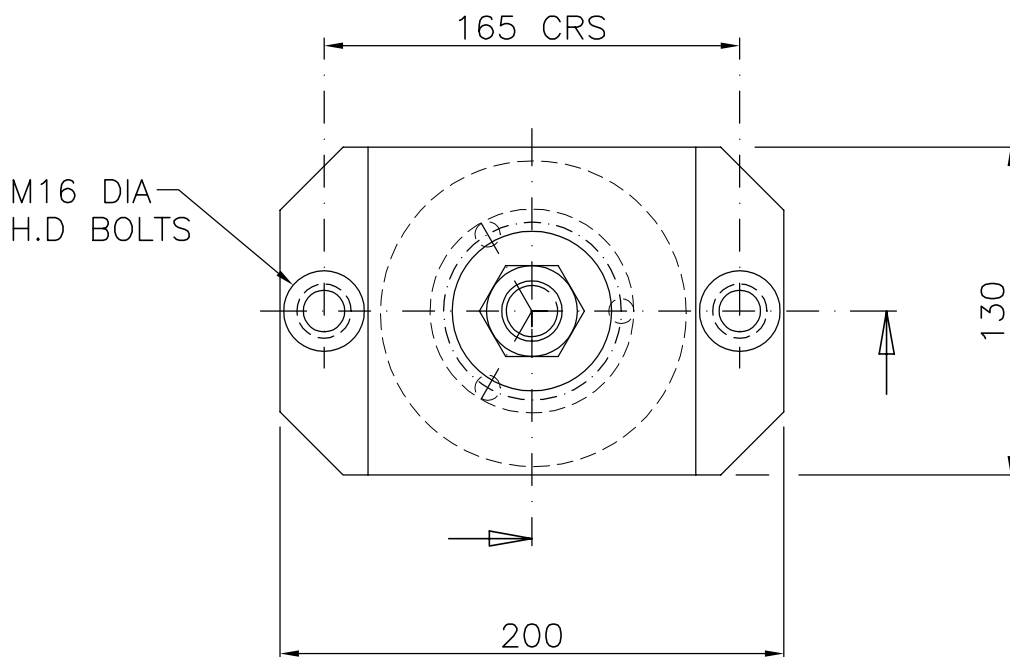
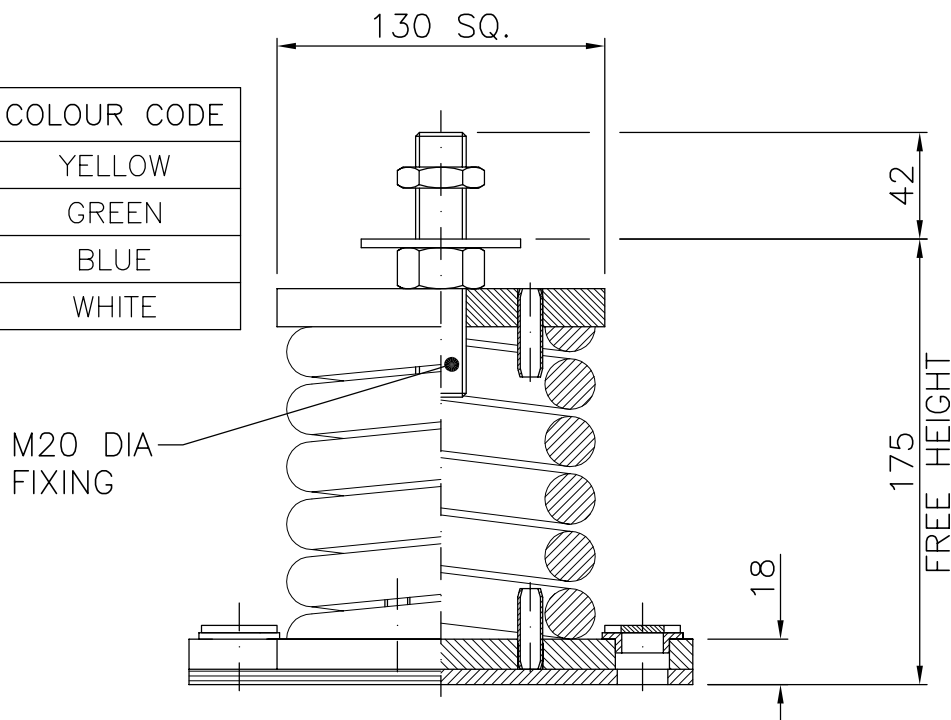
First angle
 projection



Q C C F 6 0 1 S S U E 3

GENERAL ARRANGEMENT OF OS25/650 – OS25/1250 OPEN SPRING MOUNTINGS

PART No.	COLOUR CODE
OS25/650	YELLOW
OS25/850	GREEN
OS25/1050	BLUE
OS25/1250	WHITE



FOR GENERAL DETAILS SEE CHRISTIE & GREY LEAFLET PL024.
 FOR INSTALLATION INSTRUCTIONS SEE CHRISTIE & GREY
 DATA SHEET DS 027 & DS COSHH 0001 RESPECTIVELY.

Drawing No. S 107	A	B	C	Job No. —	 Engineers in vibration, noise and shock control. Christie & Grey Morley Road, Tonbridge, Kent, TN9 1RA England
	23/09/99	02/08/04	02/11/05		
Change note No.	172	138		Drawn D.H.	
				Checked P.J.B.	