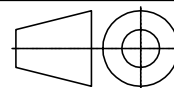


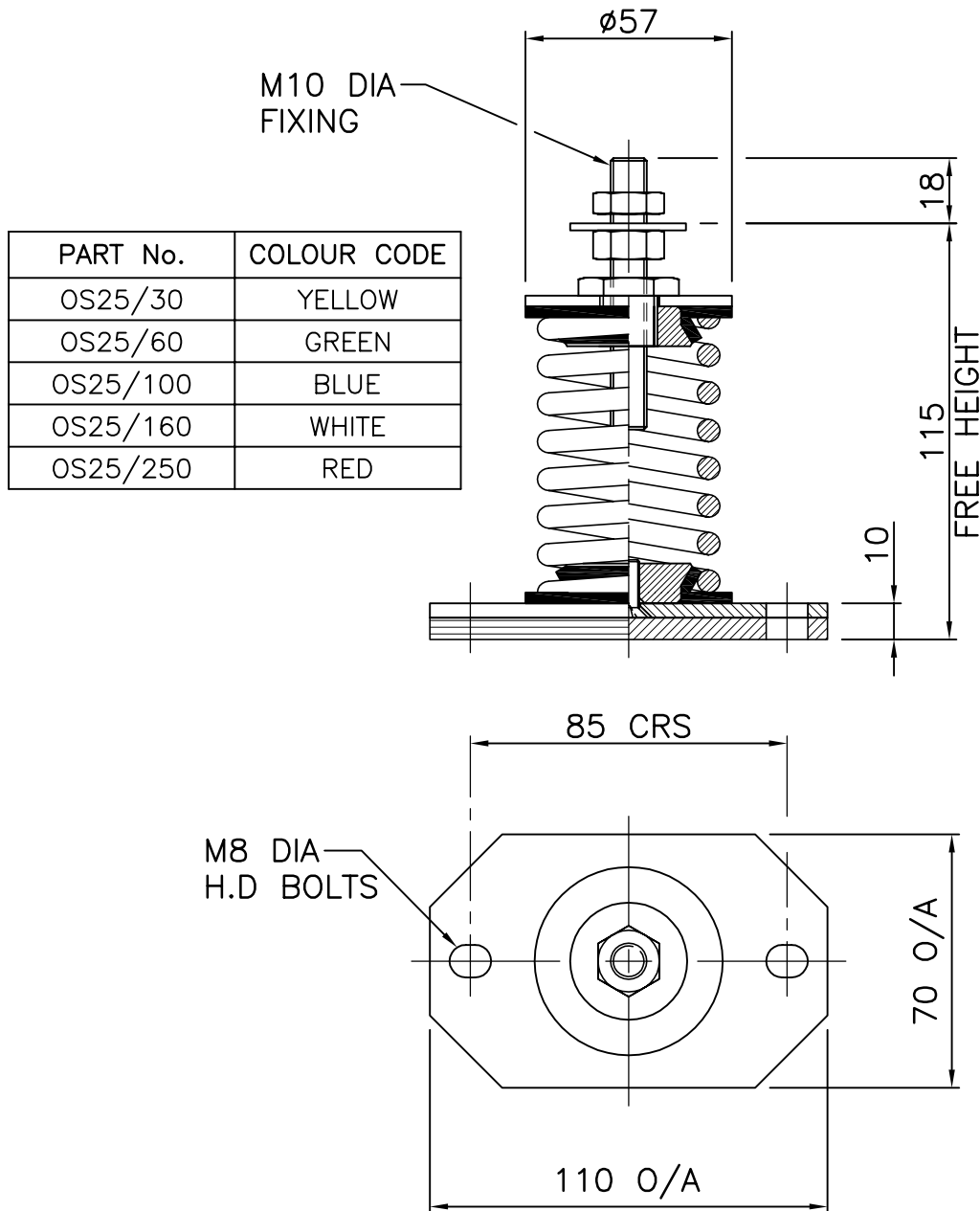
DIMENSIONS IN MILLIMETRES (mm) UNLESS OTHERWISE STATED
 TOLERANCES EXCEPT WHERE OTHERWISE STATED $\pm 0.25\text{mm}$
 NON-CONTROLLED UNLESS STAMPED OTHERWISE.

First angle
 projection




Q
C
C
6
0
I
S
S
U
E
3

GENERAL ARRANGEMENT OF OS25/30 – OS25/250 OPEN SPRING MOUNTINGS



PART No.	COLOUR CODE
OS25/30	YELLOW
OS25/60	GREEN
OS25/100	BLUE
OS25/160	WHITE
OS25/250	RED

FOR GENERAL DETAILS SEE CHRISTIE & GREY LEAFLET PL006.
 FOR INSTALLATION INSTRUCTIONS SEE CHRISTIE & GREY
 DATA SHEET DS 027 & DS COSHH 0001 RESPECTIVELY.

Drawing No. S 103	A	B	C	Job No. —	Scale 1 : 2	 Engineers in vibration, noise and shock control. Christie & Grey Morley Road, Tonbridge, Kent, TN9 1RA England
	20/09/99	02/08/04	02/11/05			
Change note No.		172	138	Checked P.J.B		