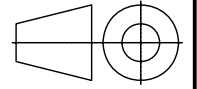


DIMENSIONS IN MILLIMETRES (mm) UNLESS OTHERWISE STATED  
 TOLERANCES EXCEPT WHERE OTHERWISE STATED  $\pm 0.25\text{mm}$   
 NON-CONTROLLED UNLESS STAMPED OTHERWISE.

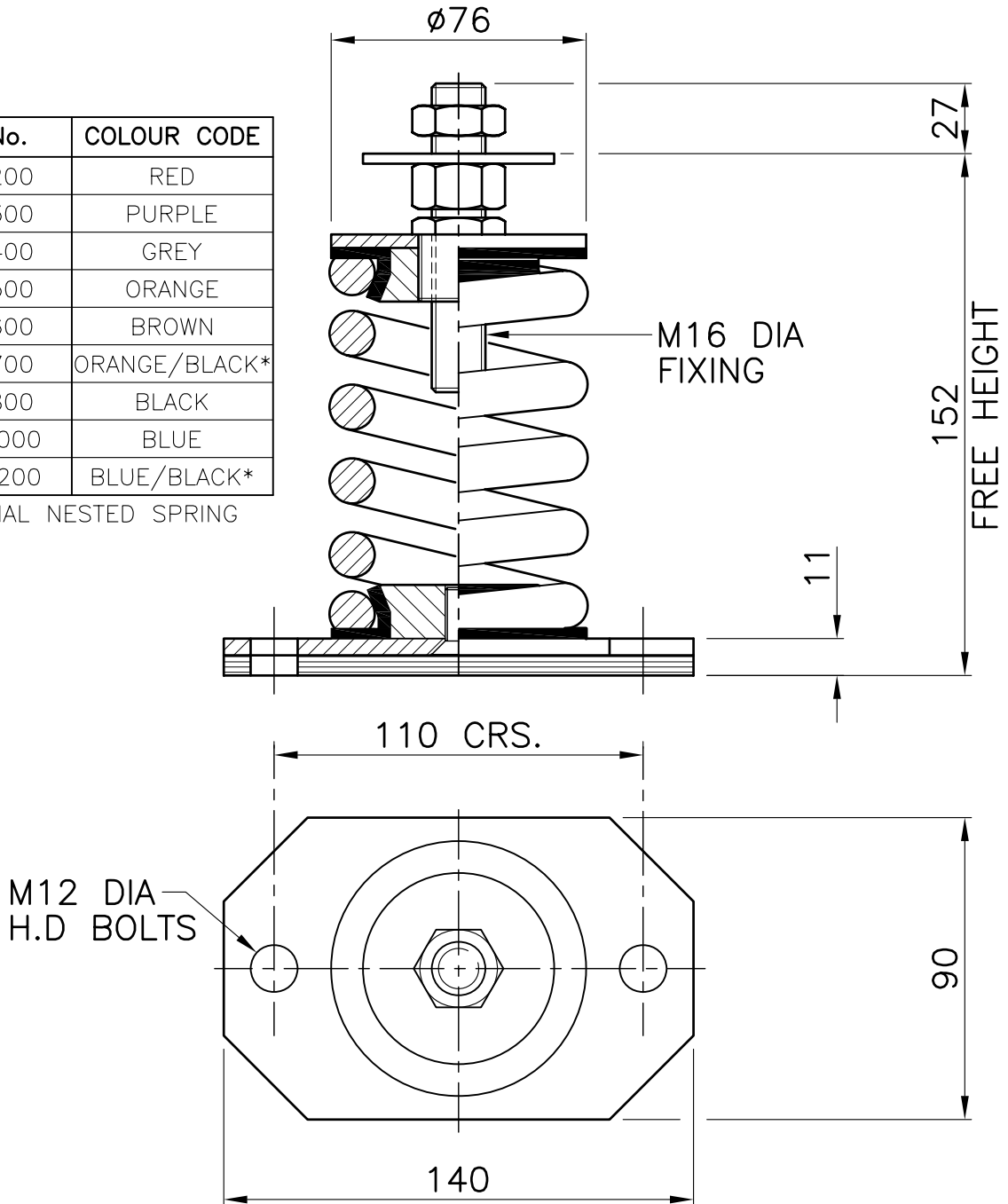
First angle  
 projection



## GENERAL ARRANGEMENT OF OS25/200 – OS25/1200 OPEN SPRING MOUNTINGS

PART No.	COLOUR CODE
OS25/200	RED
OS25/300	PURPLE
OS25/400	GREY
OS25/500	ORANGE
OS25/600	BROWN
OS25/700	ORANGE/BLACK*
OS25/800	BLACK
OS25/1000	BLUE
OS25/1200	BLUE/BLACK*

\* INTERNAL NESTED SPRING



FOR GENERAL DETAILS SEE CHRISTIE & GREY LEAFLET PLO06.  
 FOR INSTALLATION INSTRUCTIONS SEE CHRISTIE & GREY  
 DATA SHEET DS 027.

Drawing No. S104	A	C	D	E	F	Job No.	Engineers in vibration, noise and shock control. Christie & Grey Morley Road, Tonbridge, Kent, TN9 1RA England
	09/09/99	13/06/02	10/08/04	02/11/05	20/04/11	Scale 1:2	
Change note No.	160	176	138	047	Checked PJB		

Q10601-5531-3