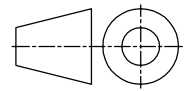
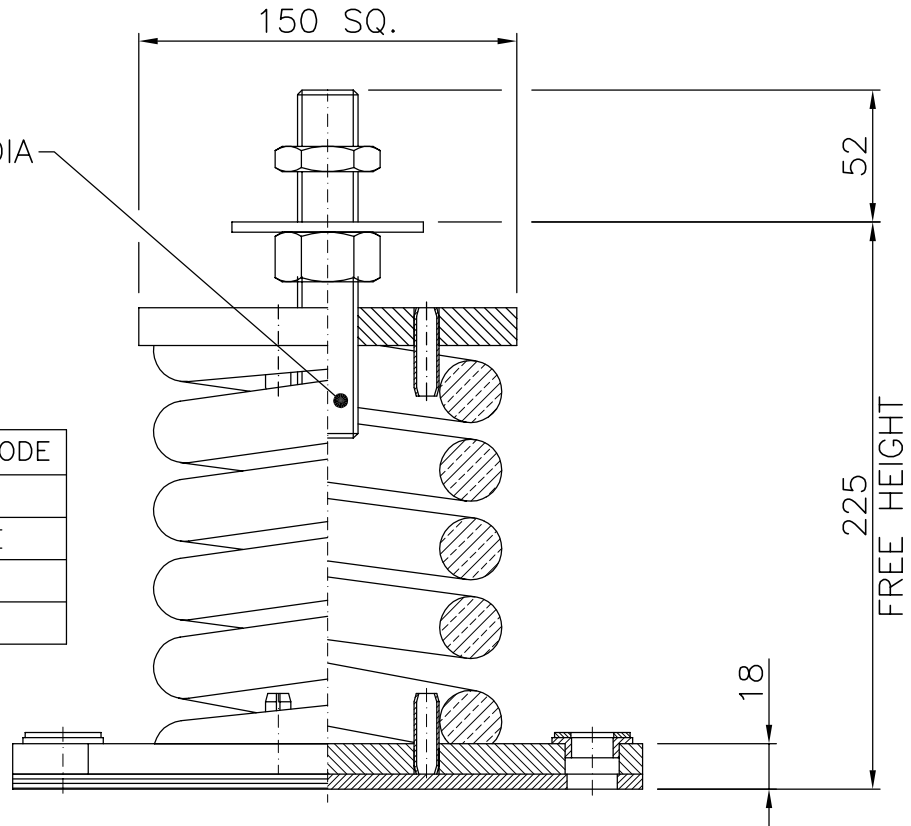


DIMENSIONS IN MILLIMETRES (mm) UNLESS OTHERWISE STATED
 TOLERANCES EXCEPT WHERE OTHERWISE STATED $\pm 0.25\text{mm}$
 NON-CONTROLLED UNLESS STAMPED OTHERWISE.

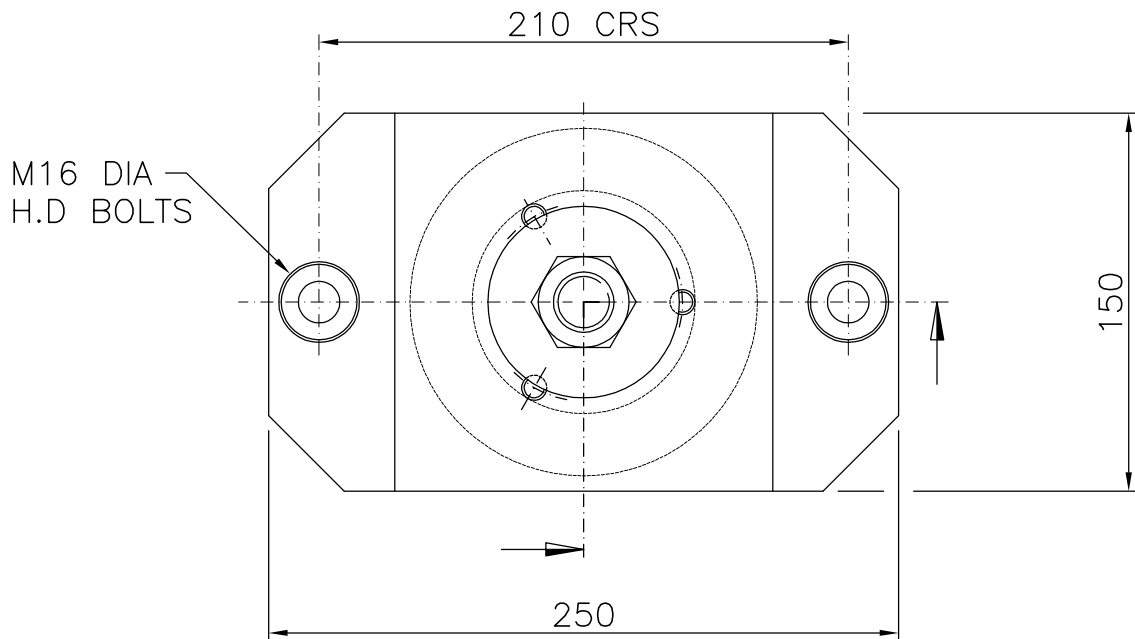
First angle
 projection




GENERAL ARRANGEMENT OF OS25/1300 – OS25/2300
OPEN SPRING MOUNTINGS



PART No.	COLOUR CODE
OS25/1300	RED
OS25/1600	PURPLE
OS25/2000	GREY
OS25/2300	BROWN



FOR GENERAL DETAILS SEE CHRISTIE & GREY LEAFLET PL024.
 FOR INSTALLATION INSTRUCTIONS SEE CHRISTIE & GREY
 DATA SHEET DS 027 & DS COSHH 0001 RESPECTIVELY.

Drawing No. S 108	A	B	C	D	Job No. –	 Engineers in vibration, noise and shock control. Christie & Grey Morley Road, Tonbridge, Kent, TN9 1RA England
	23/09/99	02/08/04	02/12/04	02/11/05	Scale N.T.S.	
Change note No.	172	215	138	Checked P.J.B		

F C C Q
 6 0
 1 5 5 C C F
 3