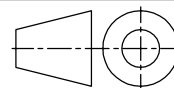
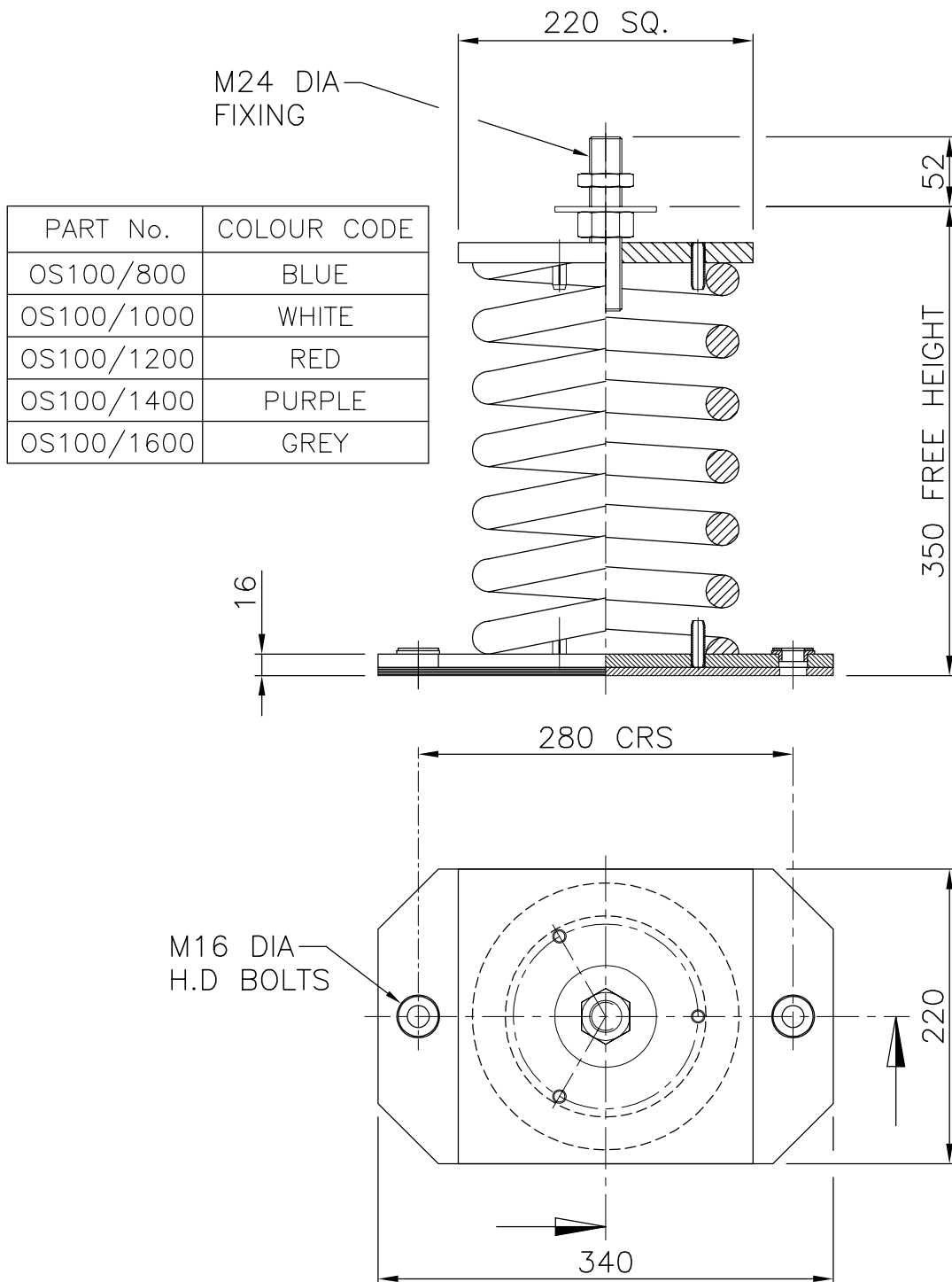


DIMENSIONS IN MILLIMETRES (mm) UNLESS OTHERWISE STATED
 TOLERANCES EXCEPT WHERE OTHERWISE STATED $\pm 0.25\text{mm}$
 NON-CONTROLLED UNLESS STAMPED OTHERWISE.

First angle
 projection



GENERAL ARRANGEMENT OF OS100/800 – 100/1600 OPEN SPRING MOUNTINGS



PART No.	COLOUR CODE
OS100/800	BLUE
OS100/1000	WHITE
OS100/1200	RED
OS100/1400	PURPLE
OS100/1600	GREY

FOR GENERAL DETAILS SEE CHRISTIE & GREY LEAFLET PL024.
 FOR INSTALLATION INSTRUCTIONS SEE CHRISTIE & GREY
 DATA SHEET DS 027 & DS COSHH 0001 RESPECTIVELY.

Drawing No. S 116	A	B	C	D	Job No. —	Engineers in vibration, noise and shock control. Christie & Grey Morley Road, Tonbridge, Kent, TN9 1RA England
	23/09/99	14/03/00	02/08/04	02/11/05		
Change note No.		088	172	138	Drawn D.H	Checked P.J.B

QFC60155UE3