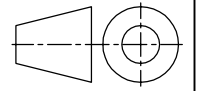


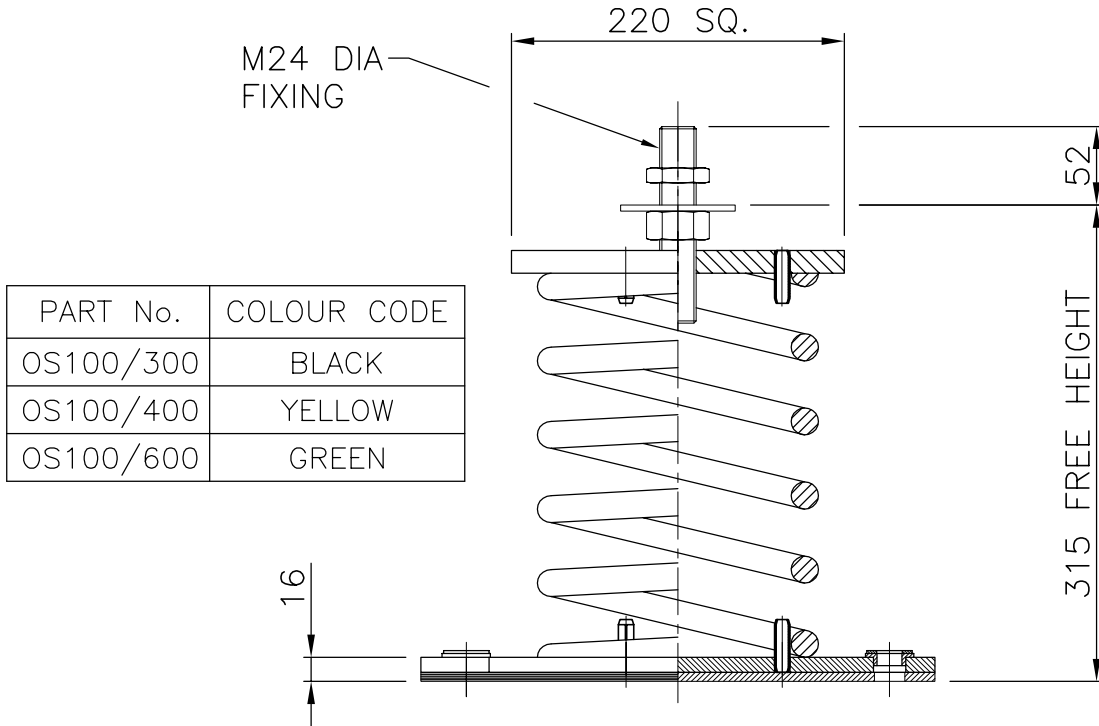
DIMENSIONS IN MILLIMETRES (mm) UNLESS OTHERWISE STATED  
 TOLERANCES EXCEPT WHERE OTHERWISE STATED  $\pm 0.25\text{mm}$   
 NON-CONTROLLED UNLESS STAMPED OTHERWISE.

First angle  
 projection

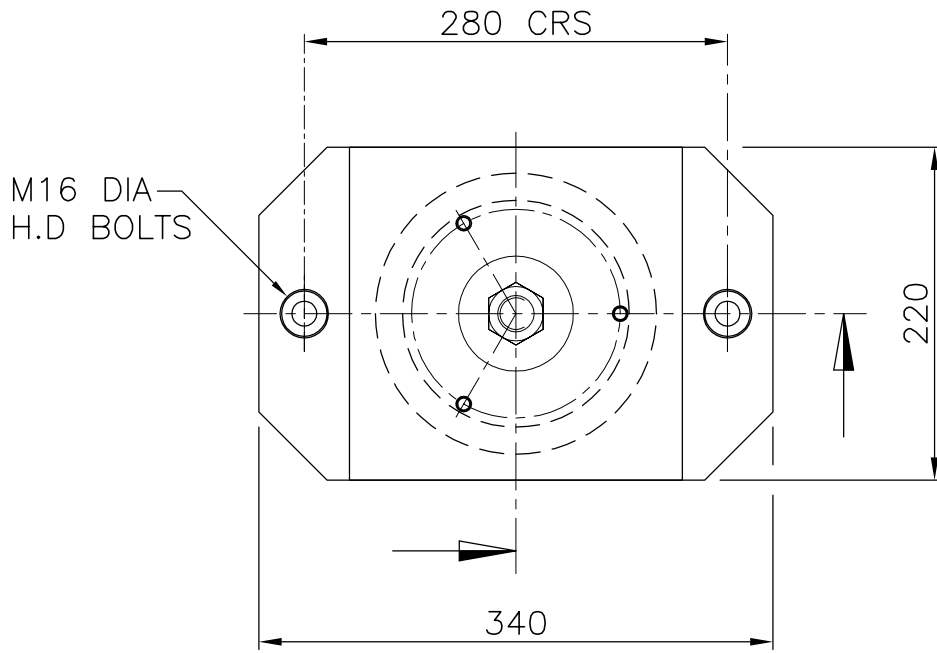


QFCF60155CE3

## GENERAL ARRANGEMENT OF OS100/300 - 100/600 OPEN SPRING MOUNTINGS



PART No.	COLOUR CODE
OS100/300	BLACK
OS100/400	YELLOW
OS100/600	GREEN



FOR GENERAL DETAILS SEE CHRISTIE & GREY LEAFLET PL024.  
 FOR INSTALLATION INSTRUCTIONS SEE CHRISTIE & GREY  
 DATA SHEET DS 027 & DS COSHH 0001 RESPECTIVELY.

Drawing No. S 115	A	B	C	D	Job No. -	Engineers in vibration, noise and shock control. Christie & Grey Morley Road, Tonbridge, Kent, TN9 1RA England
	23/09/99	14/03/00	02/08/04	02/11/05		
Change note No.		088	172	138	Drawn D.H.	Checked P.J.B