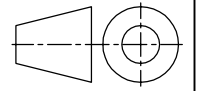
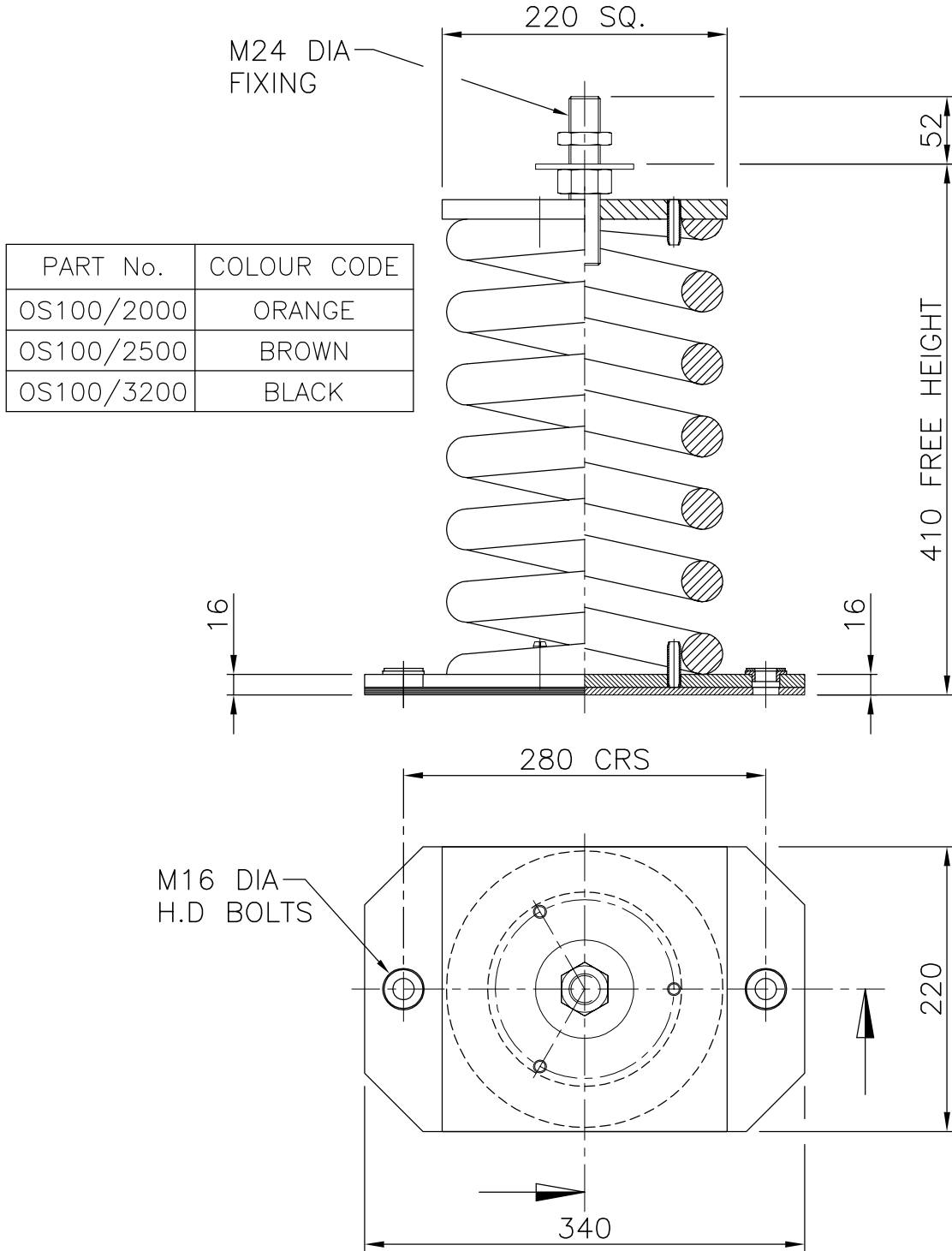


DIMENSIONS IN MILLIMETRES (mm) UNLESS OTHERWISE STATED
 TOLERANCES EXCEPT WHERE OTHERWISE STATED $\pm 0.25\text{mm}$
 NON-CONTROLLED UNLESS STAMPED OTHERWISE.


First angle
 projection



GENERAL ARRANGEMENT OF OS100/2000 - 100/3200 OPEN SPRING MOUNTINGS



FOR GENERAL DETAILS SEE CHRISTIE & GREY LEAFLET PL024.
 FOR INSTALLATION INSTRUCTIONS SEE CHRISTIE & GREY
 DATA SHEET DS 027 & DS COSHH 0001 RESPECTIVELY.

Drawing No. S 117	A	B	C	D	Job No. -	 Engineers in vibration, noise and shock control. Christie & Grey Morley Road, Tonbridge, Kent, TN9 1RA England
	23/09/99	14/03/00	02/08/04	02/11/05	Scale 1 : 5	
Change note No.	088	172	138	Checked P.J.B		

QFCF60155CF3