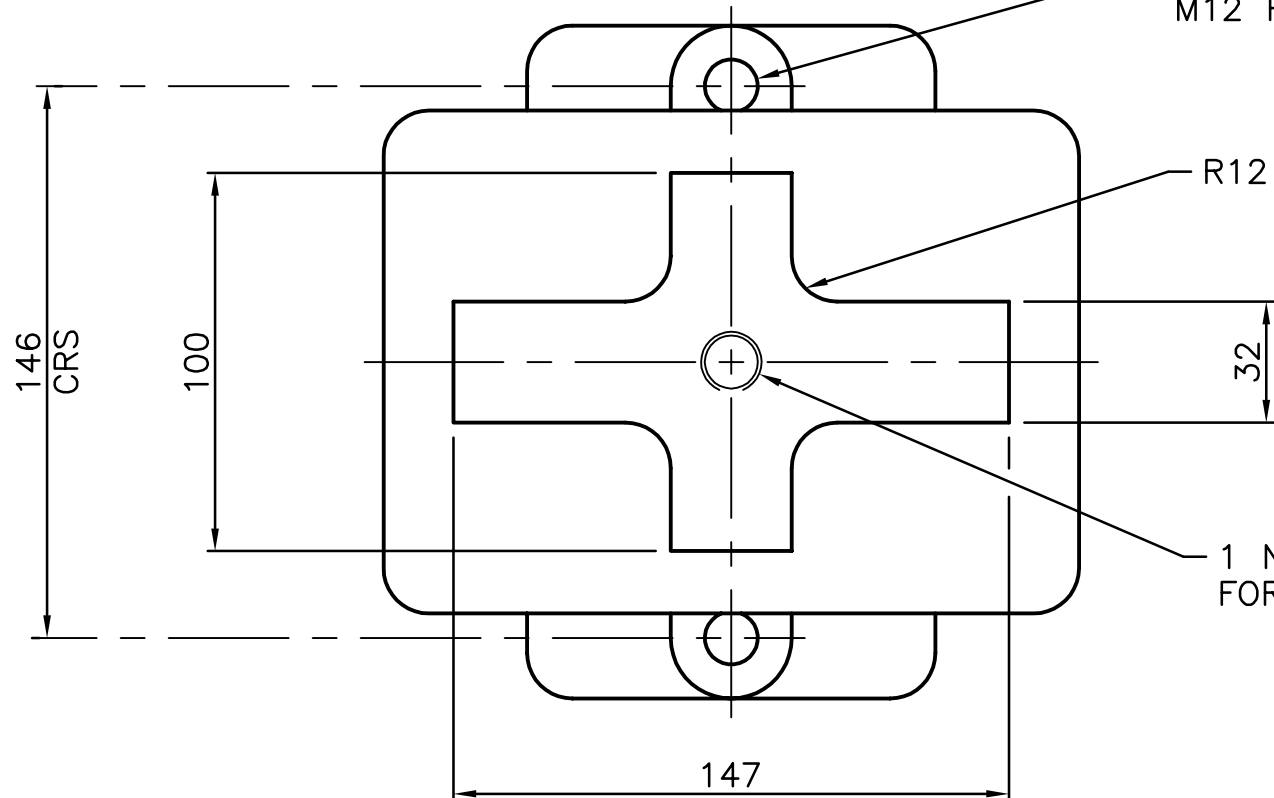
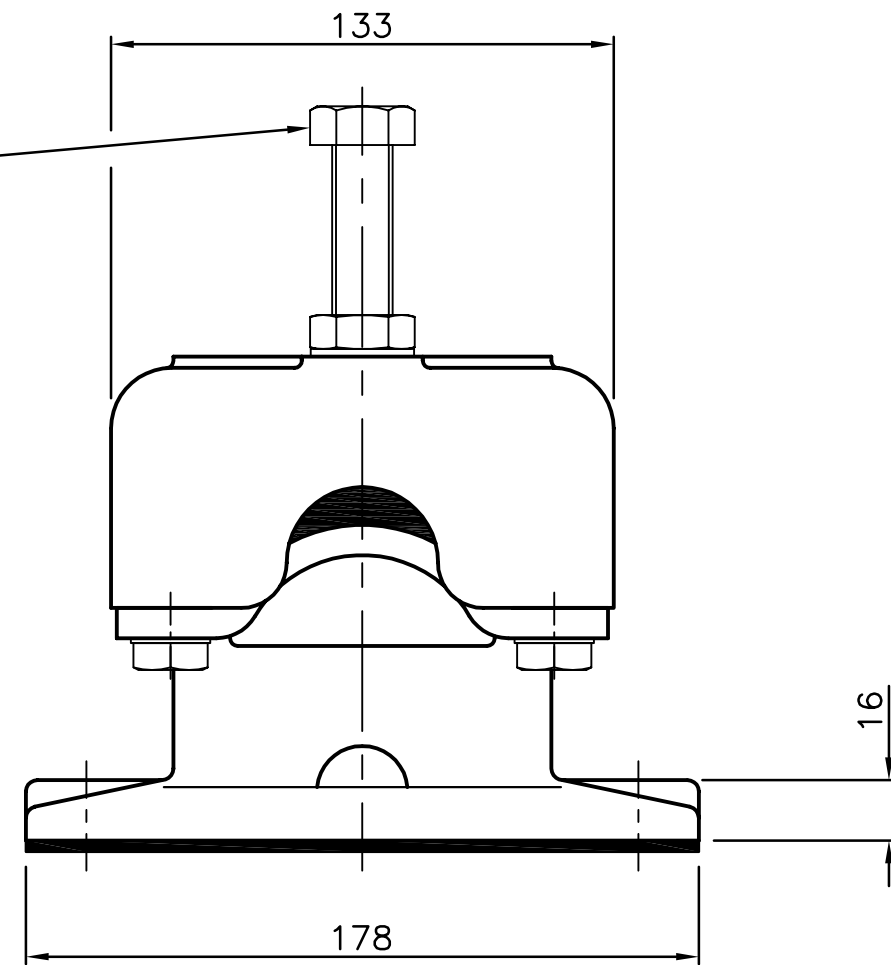


M16 x 100mm LONG SET SCREW COMPLETE WITH SPRING WASHER & LOCK NUT

OPTIONAL RUBBER BASEPAD (IF REQUIRED)

2 No. HOLES FOR M12 H.D. BOLTS



1 No. TAPPED HOLE FOR M16 FIXING BOLT

NOTES

FOR INSTALLATION INSTRUCTIONS REFER TO CHRISTIE & GREY DATA SHEETS DS 024 & DS COSHH 0001.

FOR GENERAL DETAILS SEE CHRISTIE & GREY LEAFLET No. PL027.

GENERAL ARRANGEMENT OF ODS STEEL SPRING UNIT ISOLATORS SIZES ODS/B200 – ODS/B1000

DIMENSIONS IN MILLIMETRES (mm) UNLESS OTHERWISE STATED TOLERANCES EXCEPT WHERE OTHERWISE STATED ±0.25 mm

Rev.	Date	Description	C/Note
C	02/11/05	Leaflet No.s updated	138
B	25/6/02	ADD ODS/B1000 VARIANT	172
A	20/11/00	Original Issue	—

NON-CONTROLLED UNLESS STAMPED OTHERWISE.
DO NOT SCALE, IF IN DOUBT ASK.



Morley Road, Tonbridge, Kent, TN9 1RA.
Tel : +44 (0)1732 371100
Fax : +44 (0)1732 359666
E-mail : sales@christiegrey.com

Job Number	Scale	Drawn	Checked
	1 : 2 @ A3	M.W.	P.J.B.
Status	STANDARD		Date of Original Issue
			20/11/2000
Drawing Number	S 170		Revision
			C