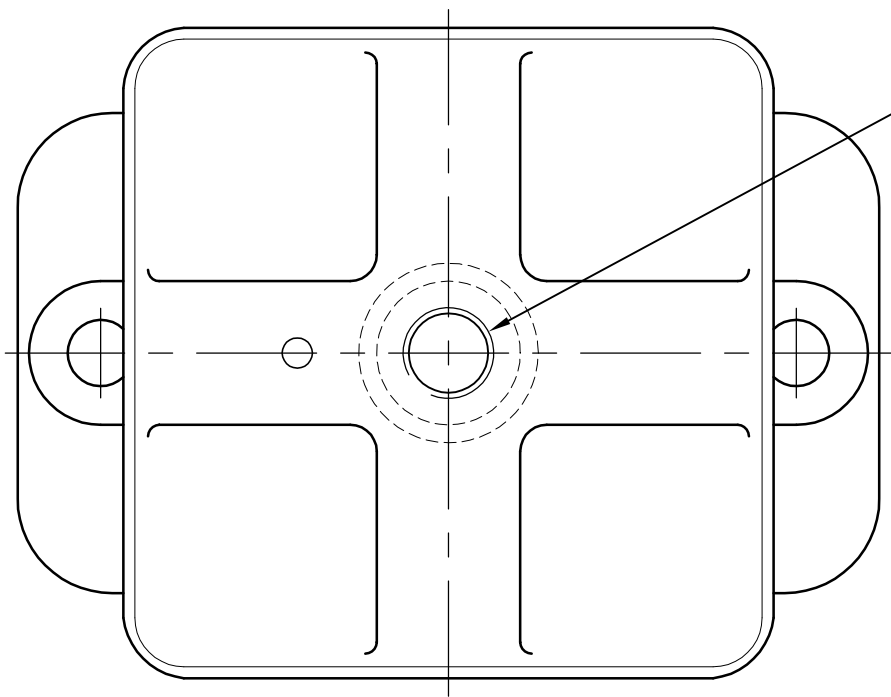
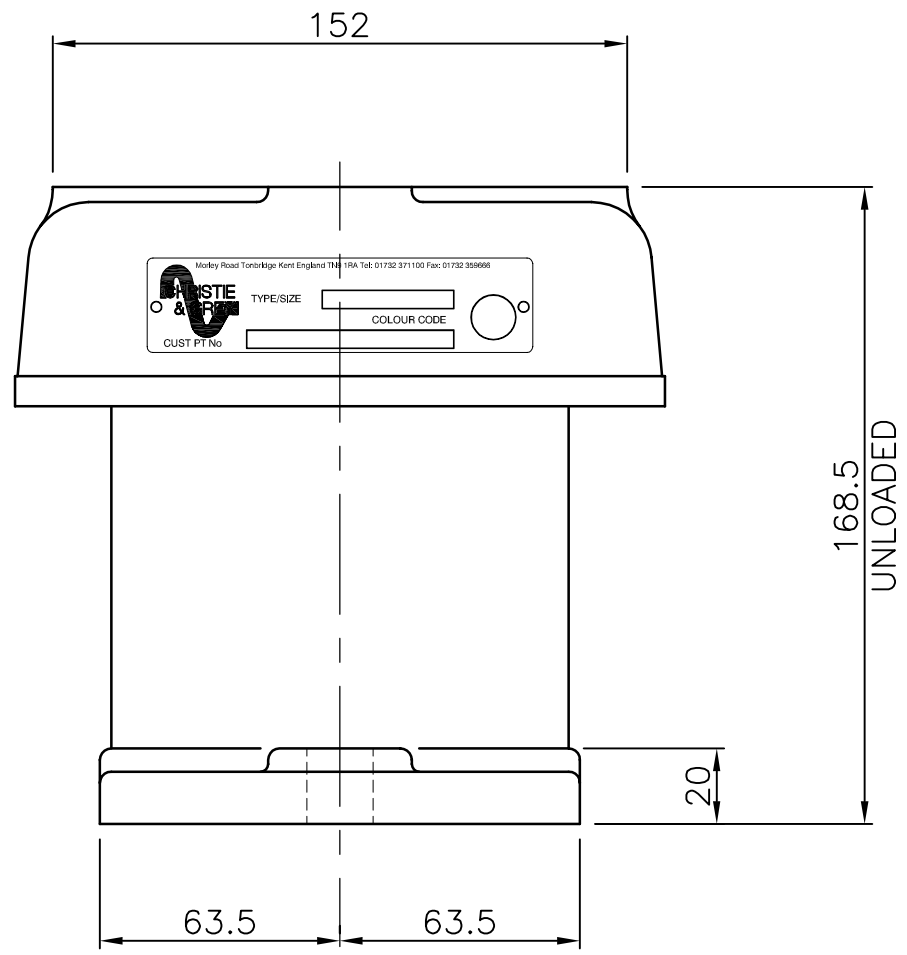


2 No. HOLES FOR
M16 H.D. BOLTS.



UPPER FIXING TAPPED
M24 x 32mm DEEP.

FOR GENERAL DETAILS SEE CHRISTIE &
GREY LEAFLET PL010.

FOR INSTALLATION INSTRUCTIONS REFER
TO CHRISTIE & GREY DATA SHEETS
DS 010 & DS COSHH 0001.

**GENERAL ARRANGEMENT
OF RUBBER UNIT
ISOLATOR TYPE MPM
SIZE 2**

DIMENSIONS IN MILLIMETRES (mm) UNLESS OTHERWISE STATED
TOLERANCES EXCEPT WHERE OTHERWISE STATED ±0.25 mm

Rev.	Date	Description	C/Note
C	02/11/05	Leaflet No.s updated	138
B	29/08/02	General Update	239
A	16/11/99	Original Issue	-

NON-CONTROLLED UNLESS
STAMPED OTHERWISE.

DO NOT SCALE, IF IN DOUBT ASK.



Morley Road, Tonbridge,
Kent, TN9 1RA.
Tel : +44 (0)1732 371100
Fax : +44 (0)1732 359666
E-mail : sales@christiegrey.com

Job Number -	Scale 1 : 2 @ A3	Drawn D.H.	Checked A.R.B.
Status STANDARD		Date of Original Issue 16/11/1999	
Drawing Number S145			Revision C