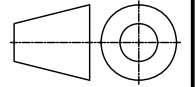
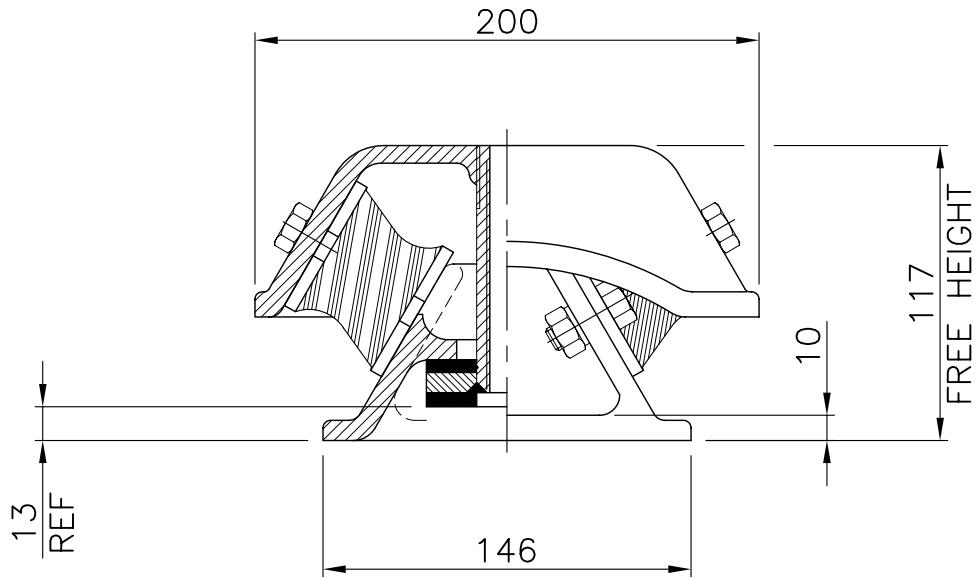


DIMENSIONS IN MILLIMETRES (mm) UNLESS OTHERWISE STATED
 TOLERANCES EXCEPT WHERE OTHERWISE STATED $\pm 0.25\text{mm}$
 NON-CONTROLLED UNLESS STAMPED OTHERWISE.

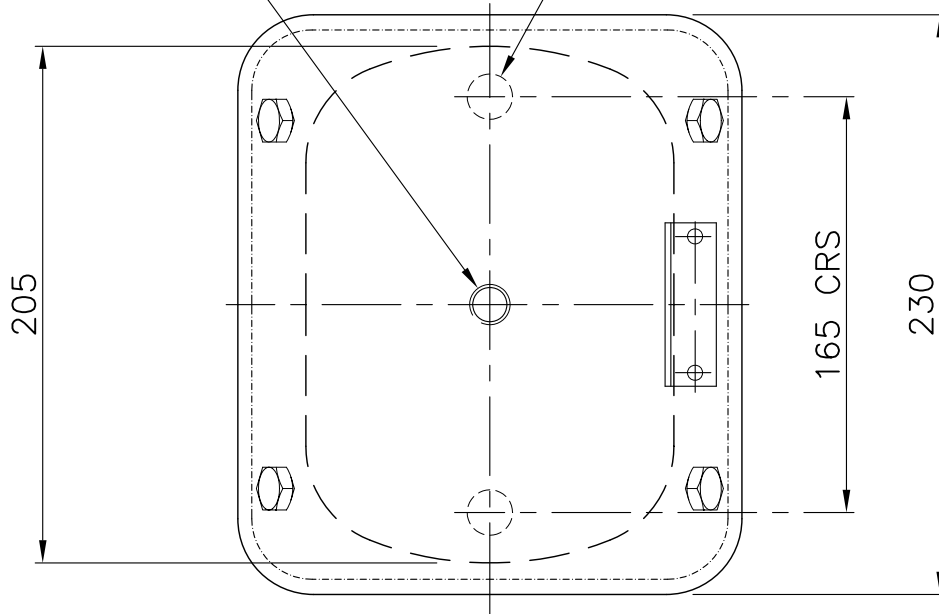
First angle
 projection




**GENERAL ARRANGEMENT OF 10.103.35 – 10.103.70
 GENFLEX MARINE 'HD' RANGE RUBBER MOUNTINGS**



M16 UPPER FIXING. 2 No. HOLES FOR LOWER M16 H.D. BOLTS.



FOR GENERAL DETAILS SEE CHRISTIE & GREY LEAFLET PLO02.
 FOR INSTALLATION INSTRUCTIONS SEE CHRISTIE & GREY
 DATA SHEET DS 010.

Drawing No. S138	A	B	C	D	E	Job No. —	 Engineers in vibration, noise and shock control. Christie & Grey Morley Road, Tonbridge, Kent, TN9 1RA England
	22/11/99	27/03/02	05/03/04	02/11/05	20/04/11	Scale N.T.S.	
Change note No.	095	039	138	047	Checked A.R.B.		

10.103.35 - 10.103.70 GENFLEX MARINE 'HD' RANGE RUBBER MOUNTINGS