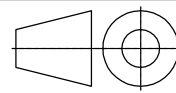
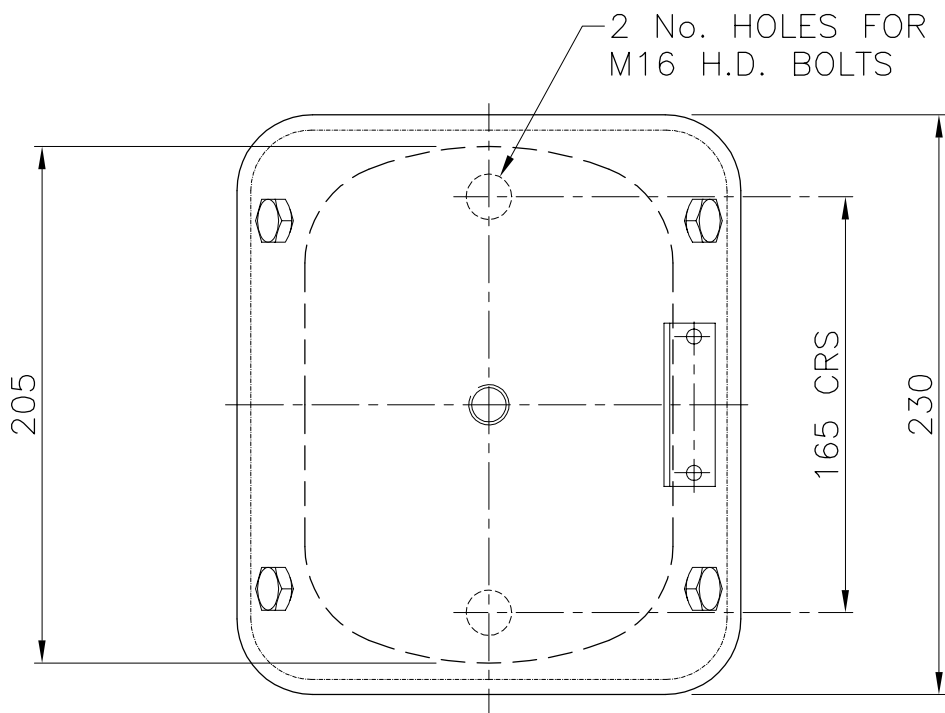
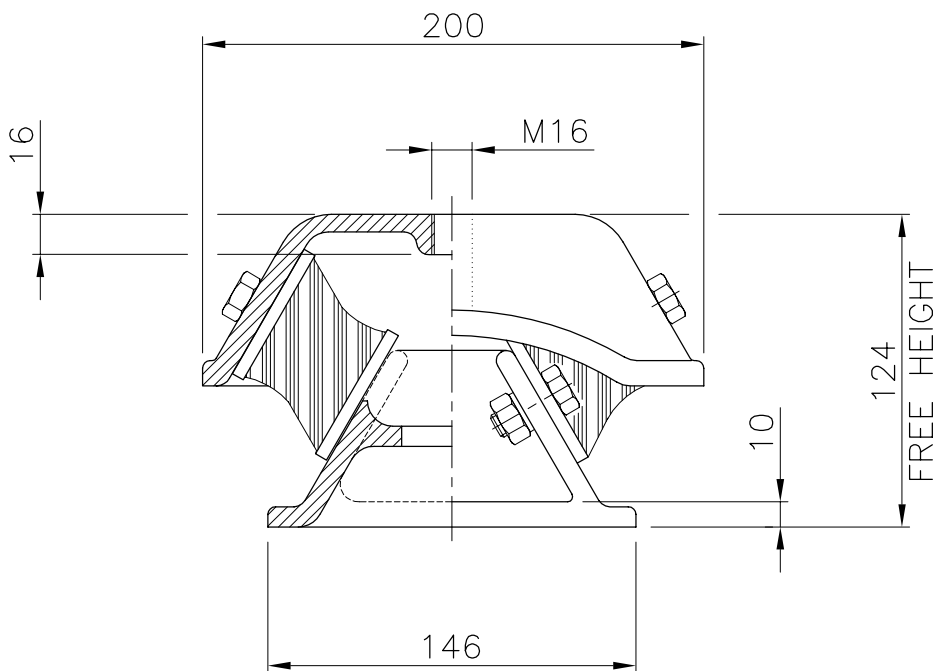


DIMENSIONS IN MILLIMETRES (mm) UNLESS OTHERWISE STATED
 TOLERANCES EXCEPT WHERE OTHERWISE STATED $\pm 0.25\text{mm}$
 NON-CONTROLLED UNLESS STAMPED OTHERWISE.


First angle
 projection



GENERAL ARRANGEMENT OF 10.101.35 – 10.101.75
GENFLEX INDUSTRIAL 'HD' RANGE RUBBER MOUNTINGS



FOR GENERAL DETAILS SEE CHRISTIE & GREY LEAFLET PLO02.
 FOR INSTALLATION INSTRUCTIONS SEE CHRISTIE & GREY
 DATA SHEET DS 010 & DS COSHH 0001 RESPECTIVELY.

Drawing No. S 136	A	B	C	Job No. —	Scale N.T.S.	 Engineers in vibration, noise and shock control. Christie & Grey Morley Road, Tonbridge, Kent, TN9 1RA England
	22/11/99	02/08/04	02/11/05			
Change note No.		172	138	Checked A.R.B.		

Q601553