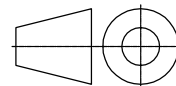
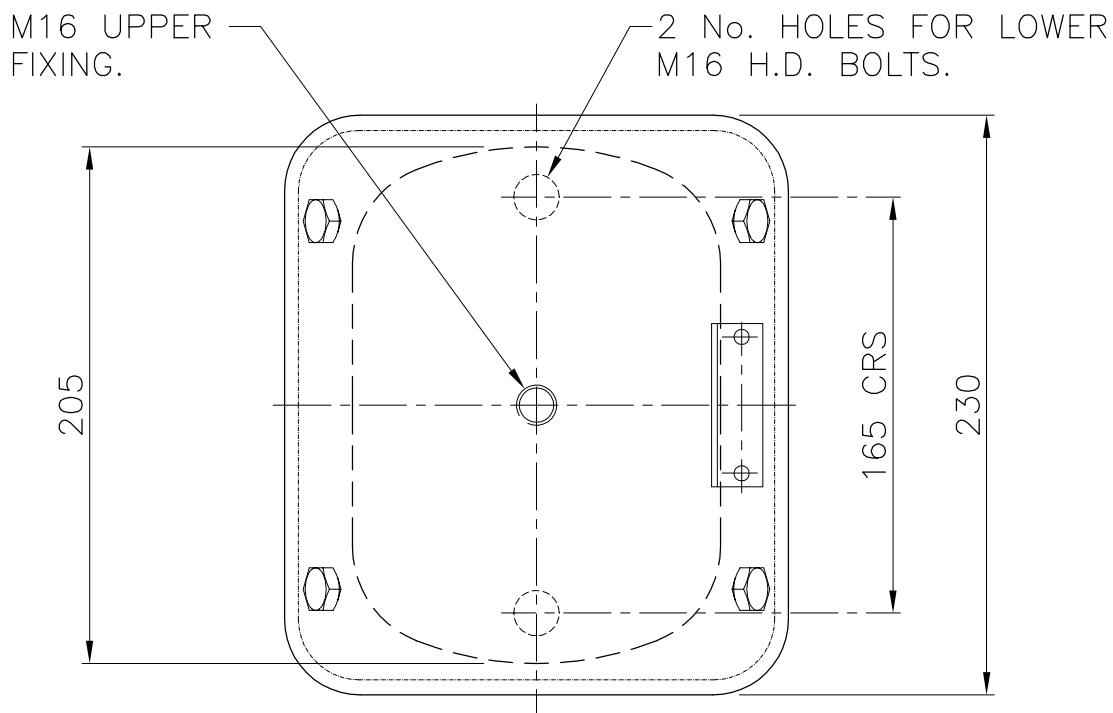
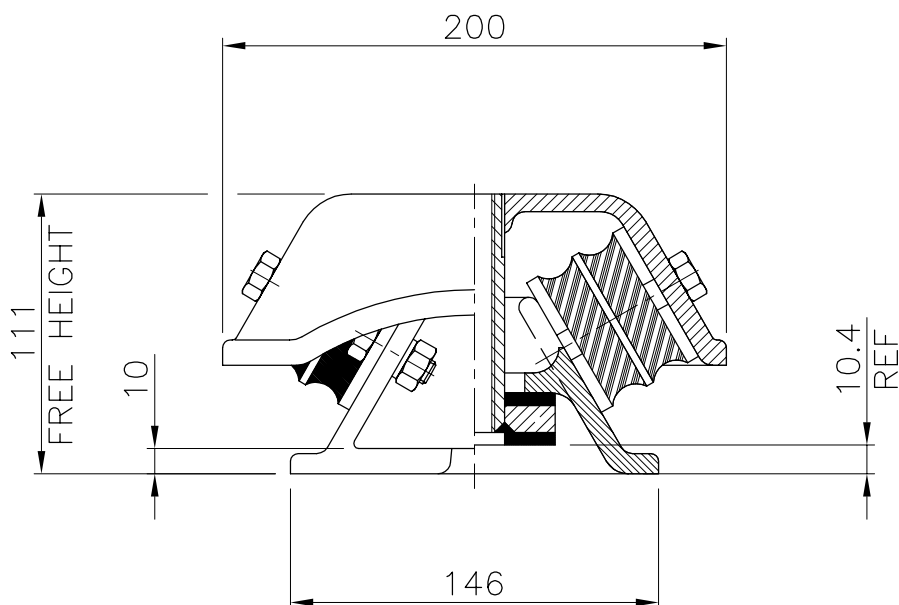


DIMENSIONS IN MILLIMETRES (mm) UNLESS OTHERWISE STATED
 TOLERANCES EXCEPT WHERE OTHERWISE STATED $\pm 0.25\text{mm}$
 NON-CONTROLLED UNLESS STAMPED OTHERWISE.


First angle
 projection



GENERAL ARRANGEMENT OF 10.104.45 – 10.104.70
GENFLEX MARINE 'B' RANGE RUBBER MOUNTINGS



FOR GENERAL DETAILS SEE CHRISTIE & GREY LEAFLET PL002.
 FOR INSTALLATION INSTRUCTIONS SEE CHRISTIE & GREY
 DATA SHEET DS 010 & DS COSHH 0001 RESPECTIVELY.

Drawing No. S139	A	B	C	Job No.	 Engineers in vibration, noise and shock control. Christie & Grey Morley Road, Tonbridge, Kent, TN9 1RA England
	22/11/99	05/03/04	02/11/05	Scale N.T.S.	
Change note No.	040	138		Drawn D.H.	
				Checked A.R.B.	

QFC60155UE3