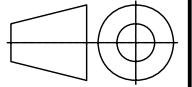
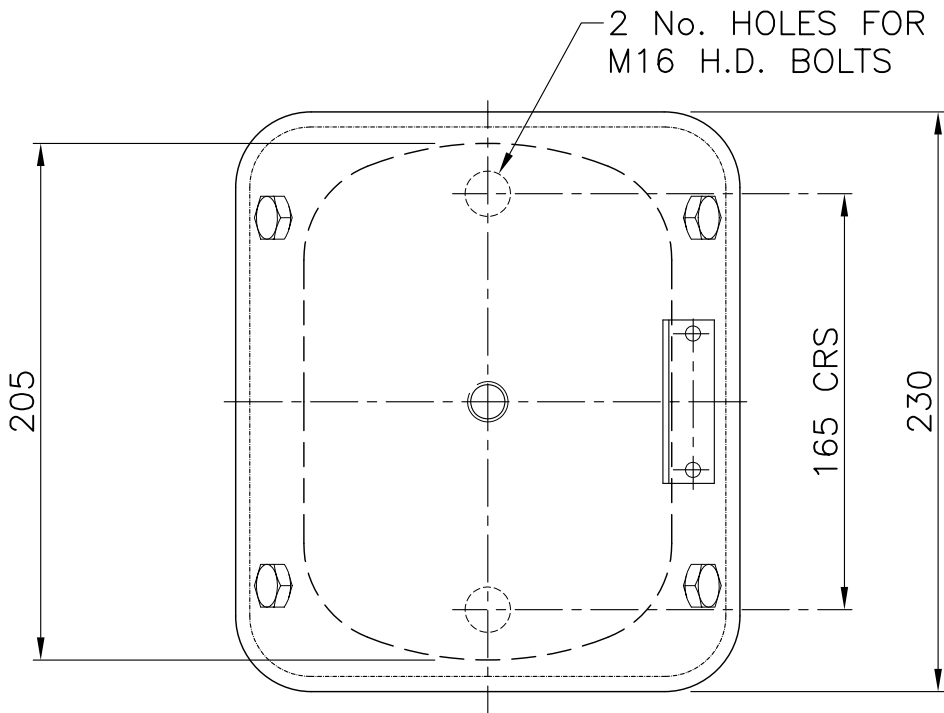
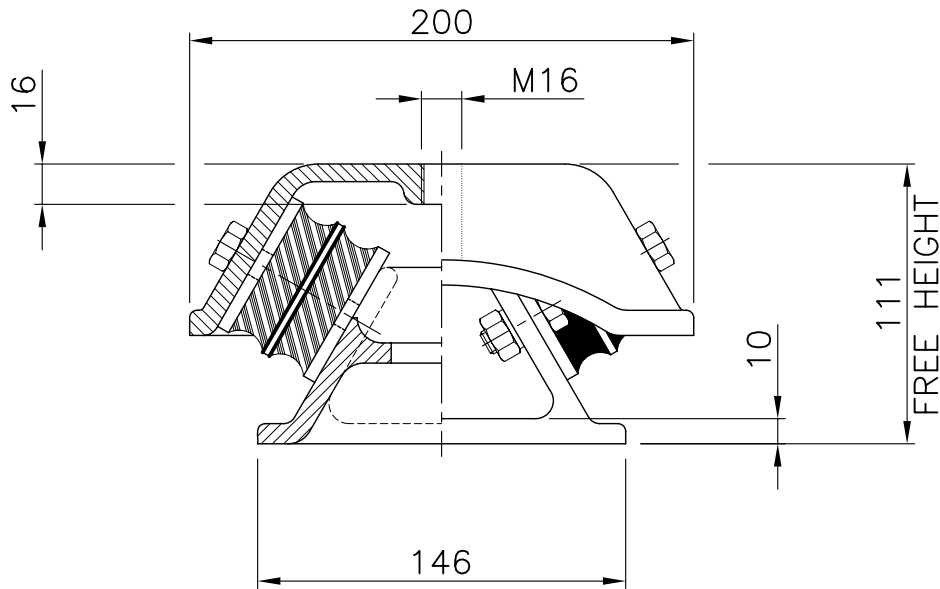


DIMENSIONS IN MILLIMETRES (mm) UNLESS OTHERWISE STATED
 TOLERANCES EXCEPT WHERE OTHERWISE STATED $\pm 0.25\text{mm}$
 NON-CONTROLLED UNLESS STAMPED OTHERWISE.


First angle
 projection



**GENERAL ARRANGEMENT OF 10.102.45 – 10.102.70
 GENFLEX INDUSTRIAL 'B' RANGE RUBBER MOUNTINGS**



FOR GENERAL DETAILS SEE CHRISTIE & GREY LEAFLET PLO02.
 FOR INSTALLATION INSTRUCTIONS SEE CHRISTIE & GREY
 DATA SHEET DS 010.

Drawing No. S 137	A	B	C	D	Job No. —	 Engineers in vibration, noise and shock control. Christie & Grey Morley Road, Tonbridge, Kent, TN9 1RA England
	22/11/99	02/08/04	02/11/05	20/04/11		
Change note No.	172	138	047	Checked A.R.B.		

10.102.45 - 10.102.70
 GENFLEX INDUSTRIAL 'B' RANGE RUBBER MOUNTINGS
 3