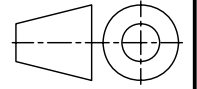
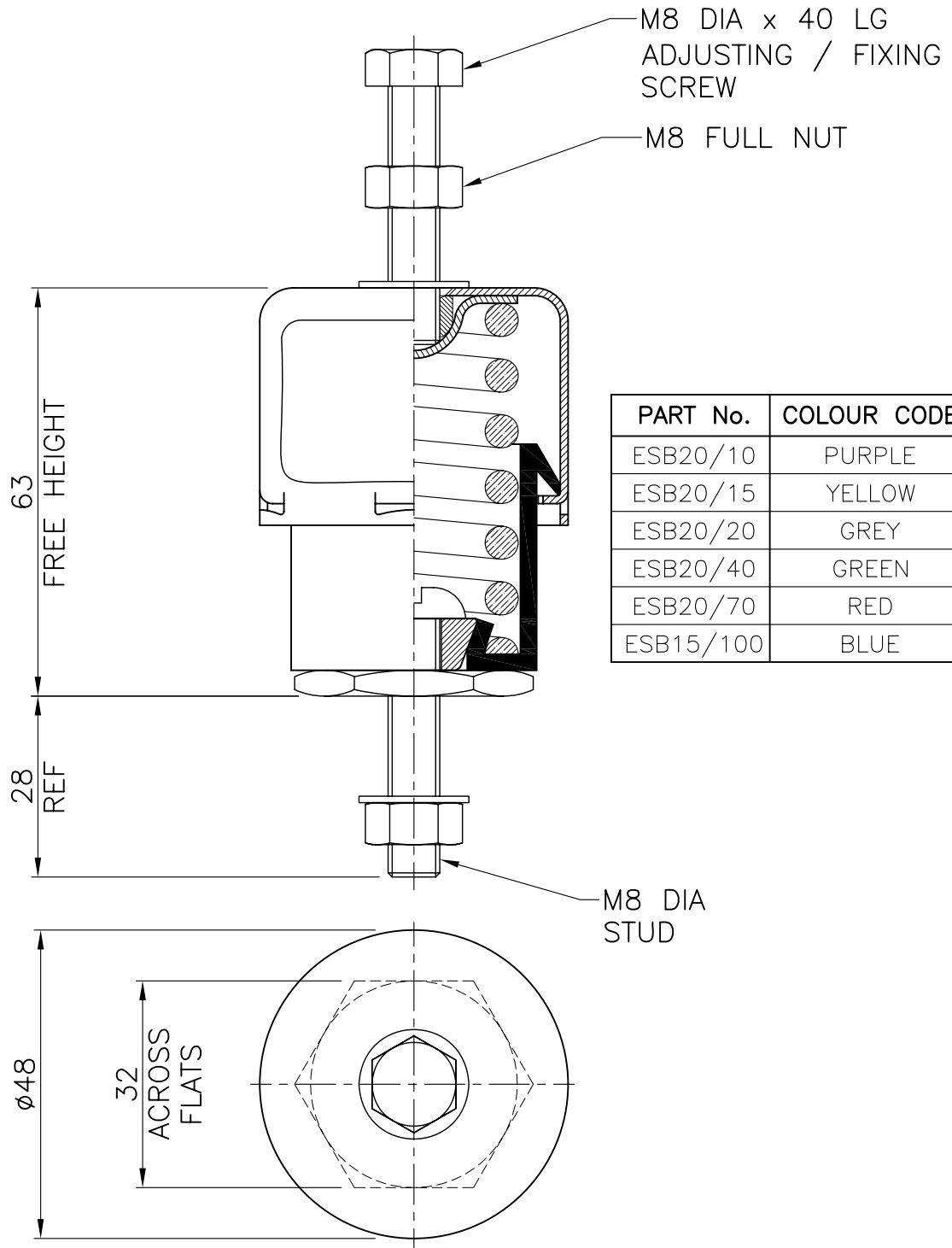


DIMENSIONS IN MILLIMETRES (mm) UNLESS OTHERWISE STATED
 TOLERANCES EXCEPT WHERE OTHERWISE STATED $\pm 0.25\text{mm}$
 NON-CONTROLLED UNLESS STAMPED OTHERWISE.

First angle
 projection



GENERAL ARRANGEMENT OF ESB20/10 – ESB15/100 ENCLOSED SPRING MOUNTINGS



FOR GENERAL DETAILS SEE CHRISTIE & GREY LEAFLET PLO04.
 FOR INSTALLATION INSTRUCTIONS SEE CHRISTIE & GREY
 DATA SHEET DS 026.

Drawing No. <h1 style="margin: 0;">S 119</h1>	A	C	D	E	F	Job No. –	<p style="font-size: small; margin: 0;">Engineers in vibration, noise and shock control. Christie & Grey Morley Road, Tonbridge, Kent, TN9 1RA England</p>
	08/10/99	02/08/04	02/11/05	17/06/10	20/04/11	Scale 1 : 1	
Change note No.	172	138	062	047	Checked A.R.B	Drawn D.H	

Q60153