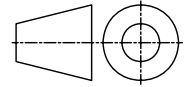


DIMENSIONS IN MILLIMETRES (mm) UNLESS OTHERWISE STATED
 TOLERANCES EXCEPT WHERE OTHERWISE STATED $\pm 0.25\text{mm}$
 NON-CONTROLLED UNLESS STAMPED OTHERWISE.

First angle
 projection

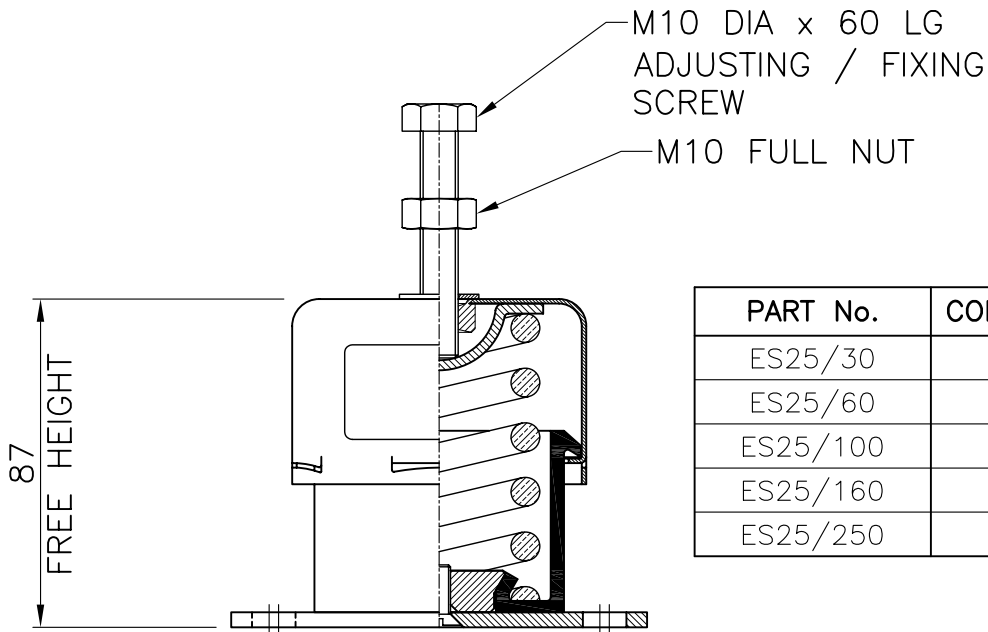


Q
C
F
6
0

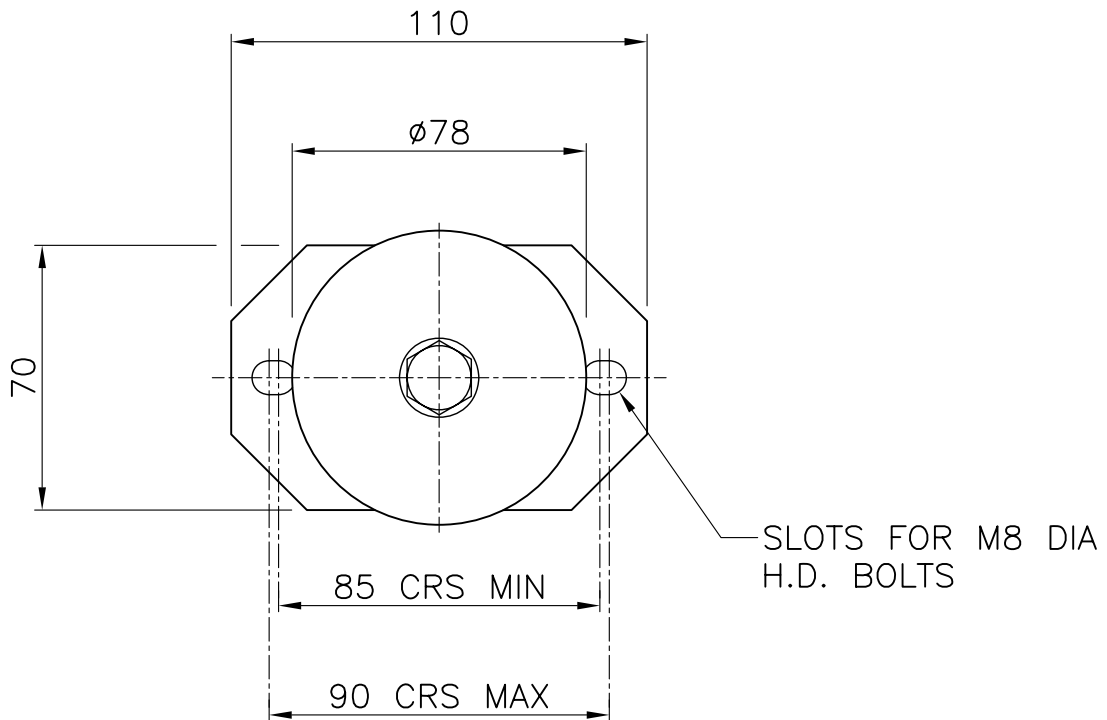
I
S
S
U
E

3

GENERAL ARRANGEMENT OF ES25/30 – ES25/250 ENCLOSED SPRING MOUNTINGS



PART No.	COLOUR CODE
ES25/30	YELLOW
ES25/60	GREEN
ES25/100	BLUE
ES25/160	WHITE
ES25/250	RED



FOR GENERAL DETAILS SEE CHRISTIE & GREY LEAFLET PL004.
 FOR INSTALLATION INSTRUCTIONS SEE CHRISTIE & GREY
 DATA SHEET DS 026.

Drawing No. S120	A	C	D	E	F	Job No. –	Engineers in vibration, noise and shock control. Christie & Grey Morley Road, Tonbridge, Kent, TN9 1RA England
	08/10/99	13/01/00	02/11/05	17/06/10	20/04/11	Scale 1:2	
Change note No.						Drawn D.H.	
		013	138	063	047	Checked A.R.B.	