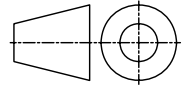


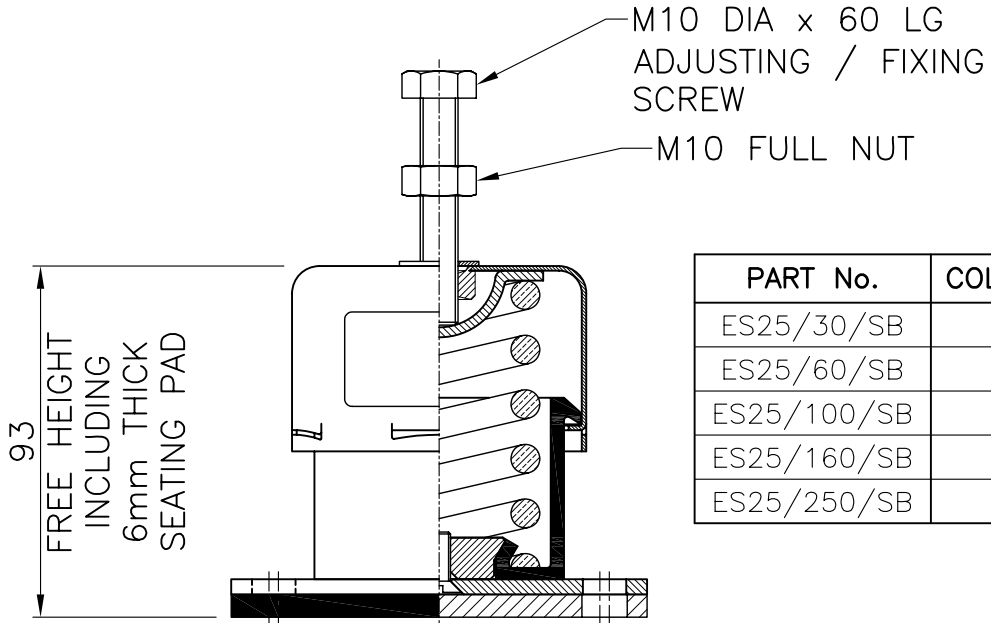
DIMENSIONS IN MILLIMETRES (mm) UNLESS OTHERWISE STATED
 TOLERANCES EXCEPT WHERE OTHERWISE STATED $\pm 0.25\text{mm}$
 NON-CONTROLLED UNLESS STAMPED OTHERWISE.

First angle
 projection

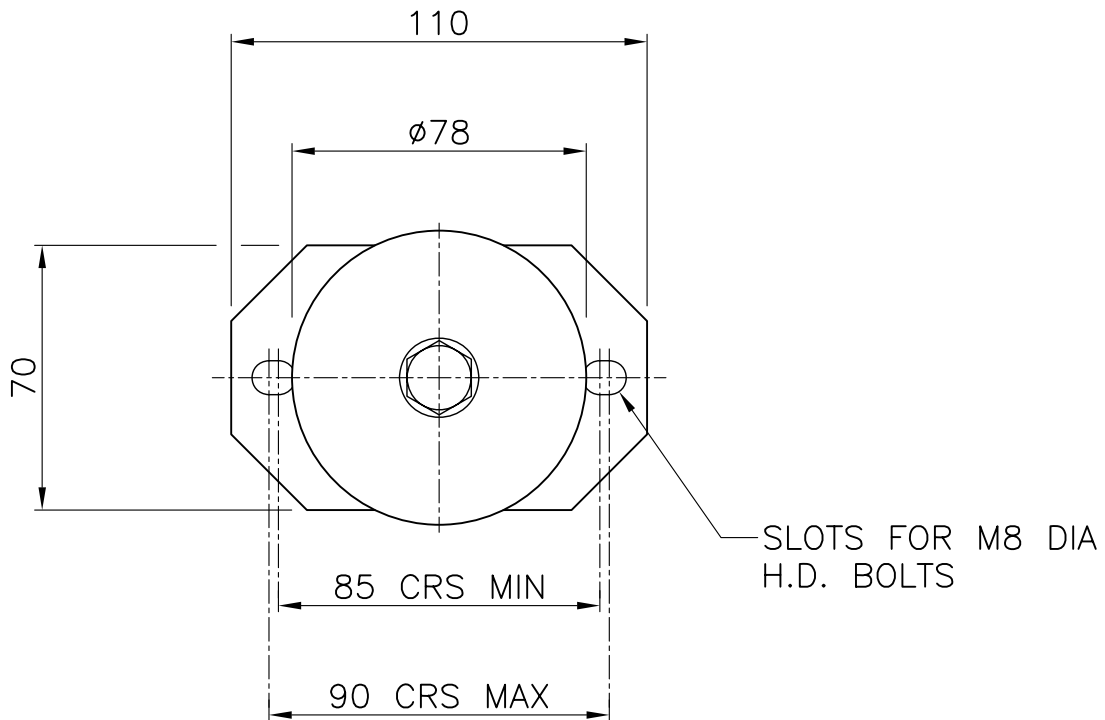


Q
C
C
F
6
0
I
S
S
U
E
3


**GENERAL ARRANGEMENT OF STAINLESS STEEL
 ENCLOSED SPRING MOUNTINGS WITH RUBBER SEATING PAD
 ES25/30/SB – ES25/250/SB**



PART No.	COLOUR CODE
ES25/30/SB	YELLOW
ES25/60/SB	GREEN
ES25/100/SB	BLUE
ES25/160/SB	WHITE
ES25/250/SB	RED



FOR GENERAL DETAILS SEE CHRISTIE & GREY LEAFLET PLO04.
 FOR INSTALLATION INSTRUCTIONS SEE CHRISTIE & GREY
 DATA SHEET DS 026.

Drawing No. S219	A	B	Job No. –	Scale 1 : 2	 Engineers in vibration, noise and shock control. Christie & Grey Morley Road, Tonbridge, Kent, TN9 1RA England
	17/06/10	20/04/11			
Change note No.		047	Checked D.H.		