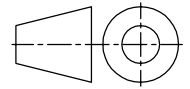


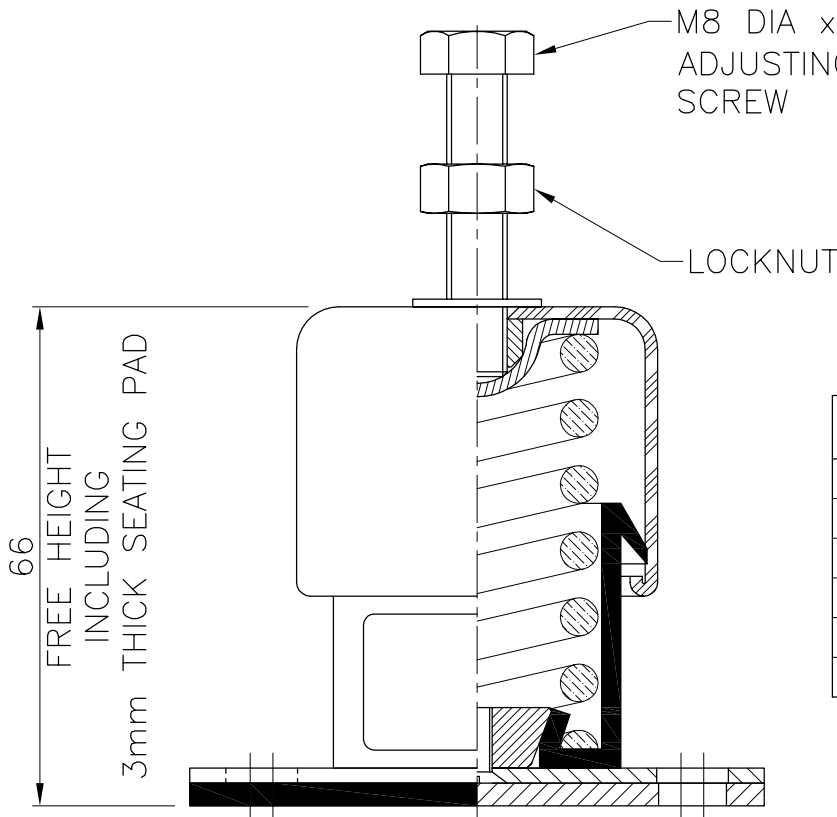
DIMENSIONS IN MILLIMETRES (mm) UNLESS OTHERWISE STATED  
 TOLERANCES EXCEPT WHERE OTHERWISE STATED  $\pm 0.25\text{mm}$   
 NON-CONTROLLED UNLESS STAMPED OTHERWISE.

First angle  
 projection

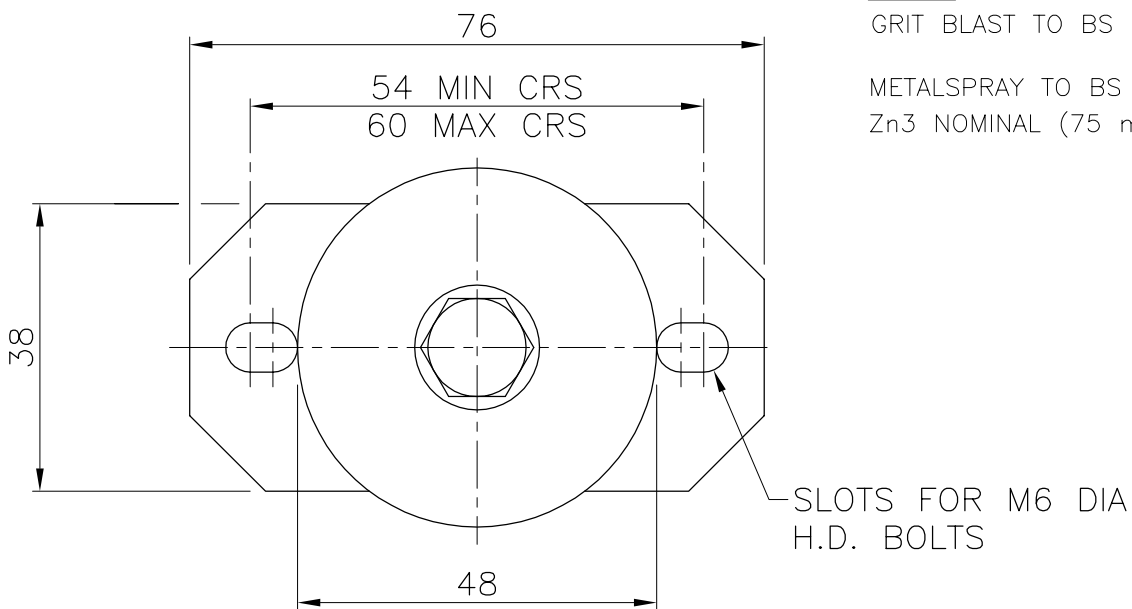


Q  
C  
F  
6  
0  
I  
S  
S  
U  
E  
3

GENERAL ARRANGEMENT OF ES20/10/ZSB – ES15/100/ZSB  
ENCLOSED SPRING MOUNTINGS – ZINC SPRAYED




STANDARD PART No.	SPRING COLOUR CODE
ES20/10/ZSB	PURPLE
ES20/15/ZSB	YELLOW
ES20/20/ZSB	GREY
ES20/40/ZSB	GREEN
ES20/70/ZSB	RED
ES15/100/ZSB	BLUE



FINISH.  
 GRIT BLAST TO BS 2569 Part 1  
 METALSPRAY TO BS 2569 Part 1  
 Zn3 NOMINAL (75 microns).

CLIENT : WOODS AIR MOVEMENT LIMITED.

FOR GENERAL DETAILS SEE CHRISTIE & GREY LEAFLET PLO04.  
 FOR INSTALLATION INSTRUCTIONS SEE CHRISTIE & GREY  
 DATA SHEET DS 026 & DS COSHH 0001 RESPECTIVELY.

Drawing No. S 161	A	B	C	D	Job No. –	 Engineers in vibration, noise and shock control. Christie & Grey Morley Road, Tonbridge, Kent, TN9 1RA England
	02/02/00	09/02/00	02/08/04	02/11/05		
Change note No.		044	172	138	Drawn A.R.B	
					Checked G.E.K	