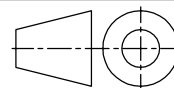


DIMENSIONS IN MILLIMETRES (mm) UNLESS OTHERWISE STATED
 TOLERANCES EXCEPT WHERE OTHERWISE STATED $\pm 0.25\text{mm}$
 NON-CONTROLLED UNLESS STAMPED OTHERWISE.

First angle
 projection

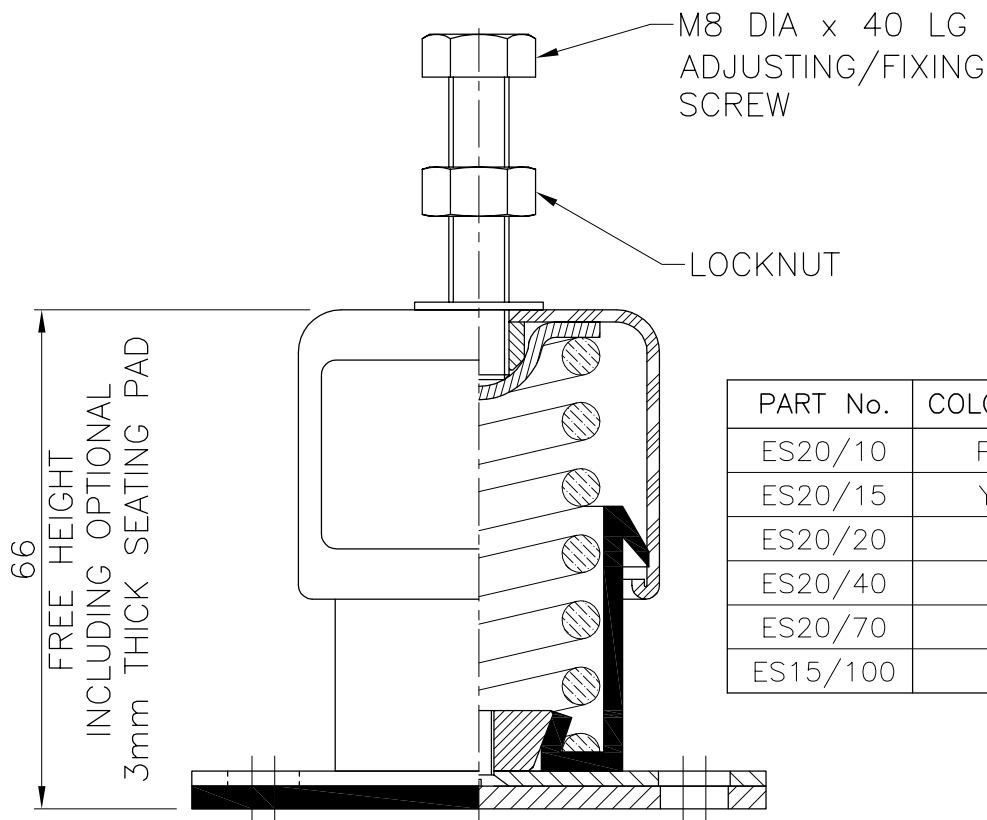


Q
C
F
6
0

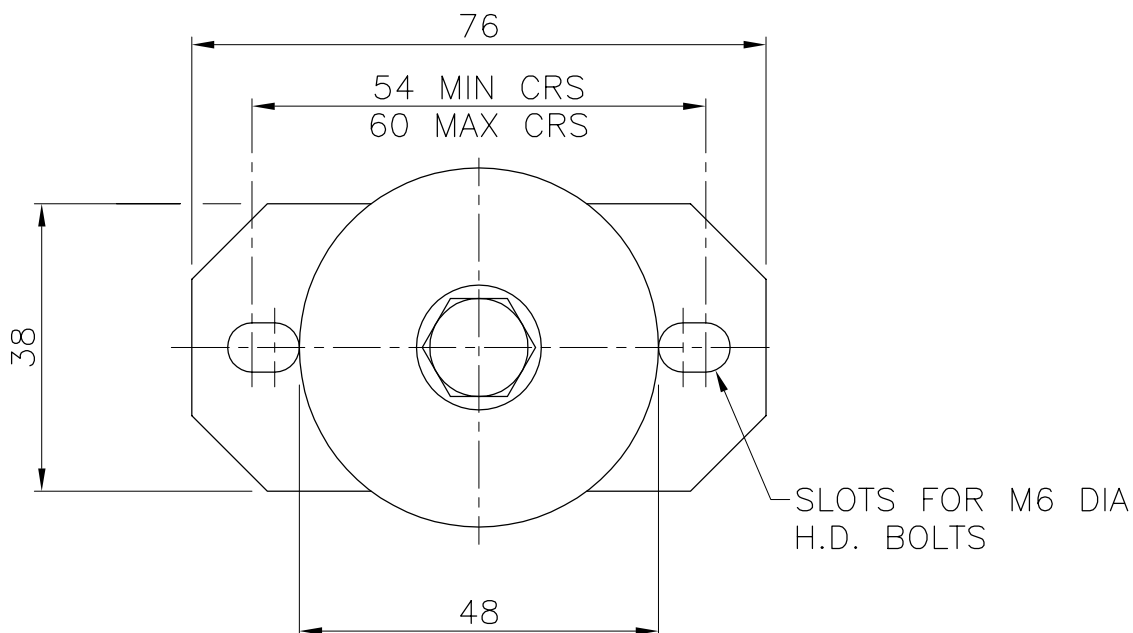
I
S
S
U
E

3

GENERAL ARRANGEMENT OF ES20/10 – ES15/100 ENCLOSED SPRING MOUNTINGS



PART No.	COLOUR CODE
ES20/10	PURPLE
ES20/15	YELLOW
ES20/20	GREY
ES20/40	GREEN
ES20/70	RED
ES15/100	BLUE



FOR GENERAL DETAILS SEE CHRISTIE & GREY LEAFLET PL004.
 FOR INSTALLATION INSTRUCTIONS SEE CHRISTIE & GREY
 DATA SHEET DS 026 & DS COSHH 0001 RESPECTIVELY.

Drawing No. S 118	A	B	C	D	E	Job No. —	Engineers in vibration, noise and shock control. Christie & Grey Morley Road, Tonbridge, Kent, TN9 1RA England
	08/10/99	14/10/99	13/01/00	02/08/04	02/11/05	Scale 1 : 1	
Change note No.	406	013	172	138	Checked A.R.B	Drawn D.H	