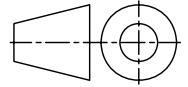


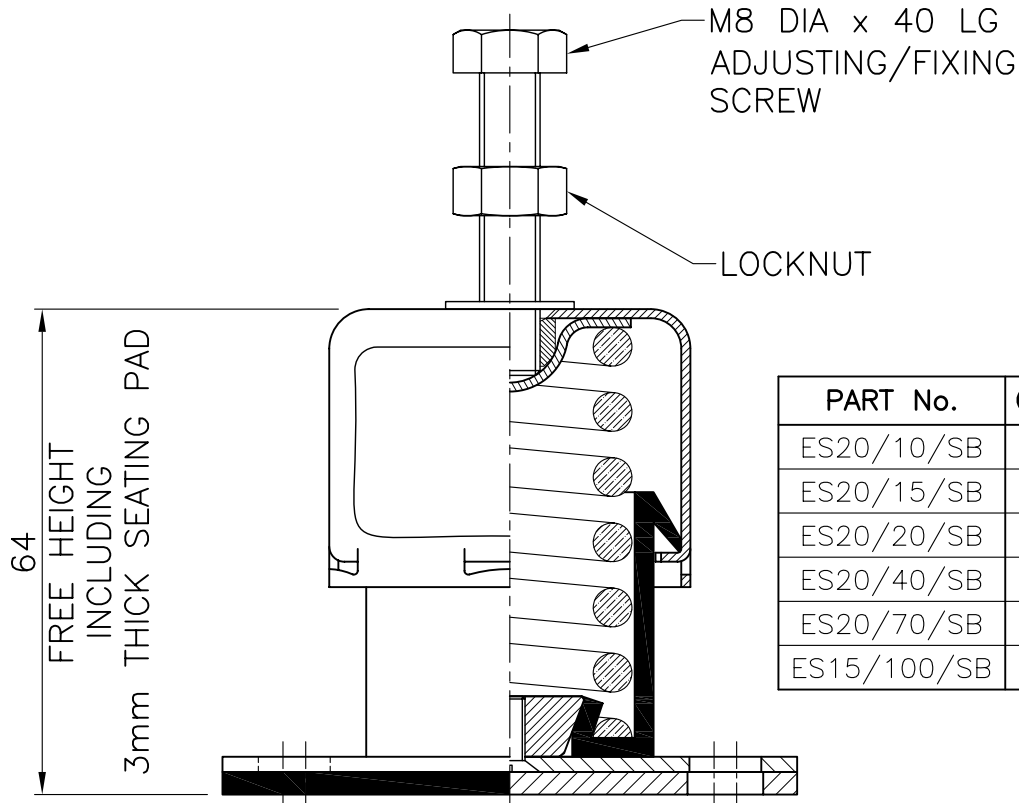
DIMENSIONS IN MILLIMETRES (mm) UNLESS OTHERWISE STATED  
 TOLERANCES EXCEPT WHERE OTHERWISE STATED  $\pm 0.25\text{mm}$   
 NON-CONTROLLED UNLESS STAMPED OTHERWISE.

First angle  
 projection

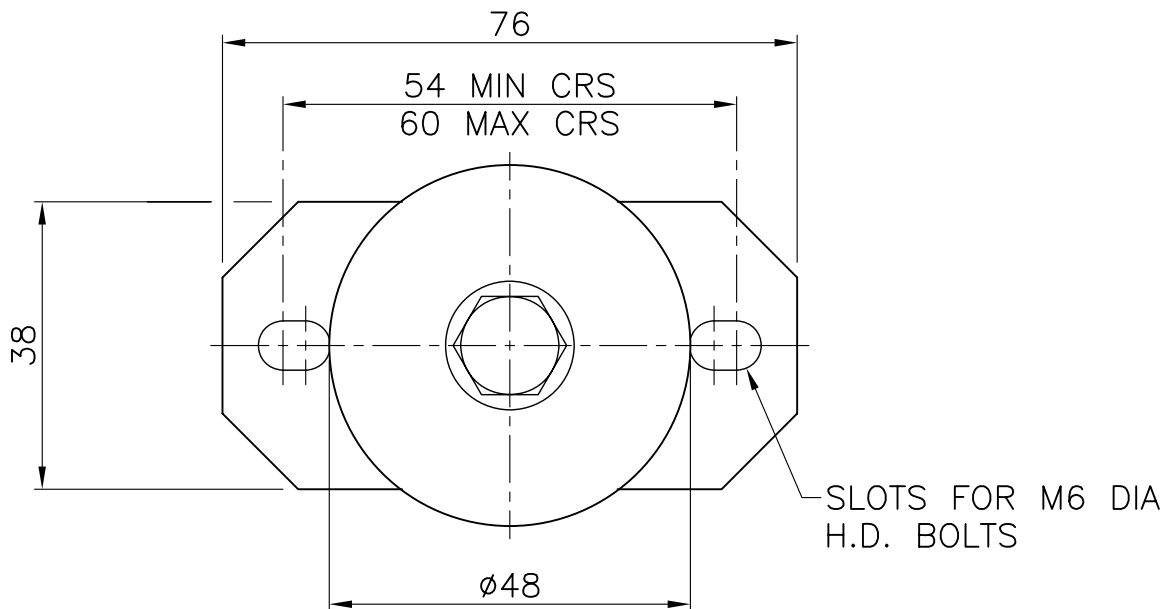


Q  
C  
F  
6  
0  
I  
S  
S  
U  
E  
3


**GENERAL ARRANGEMENT OF STAINLESS STEEL  
 ENCLOSED SPRING MOUNTINGS WITH RUBBER SEATING PAD  
 ES20/10/SB – ES15/100/SB**



PART No.	COLOUR CODE
ES20/10/SB	PURPLE
ES20/15/SB	YELLOW
ES20/20/SB	GREY
ES20/40/SB	GREEN
ES20/70/SB	RED
ES15/100/SB	BLUE



FOR GENERAL DETAILS SEE TO CHRISTIE & GREY LEAFLET PLO04.  
 FOR INSTALLATION INSTRUCTIONS SEE CHRISTIE & GREY  
 DATA SHEET DS 026.

Drawing No. <b>S213</b>	A	B	Job No. —	 Engineers in vibration, noise and shock control. Christie & Grey Morley Road, Tonbridge, Kent, TN9 1RA England
	23/07/09	20/04/11		
Change note No.		047	Drawn M.W.	
			Checked G.E.K.	