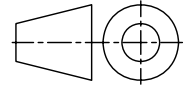


DIMENSIONS IN MILLIMETRES (mm) UNLESS OTHERWISE STATED
 TOLERANCES EXCEPT WHERE OTHERWISE STATED $\pm 0.25\text{mm}$
 NON-CONTROLLED UNLESS STAMPED OTHERWISE.

First angle
 projection

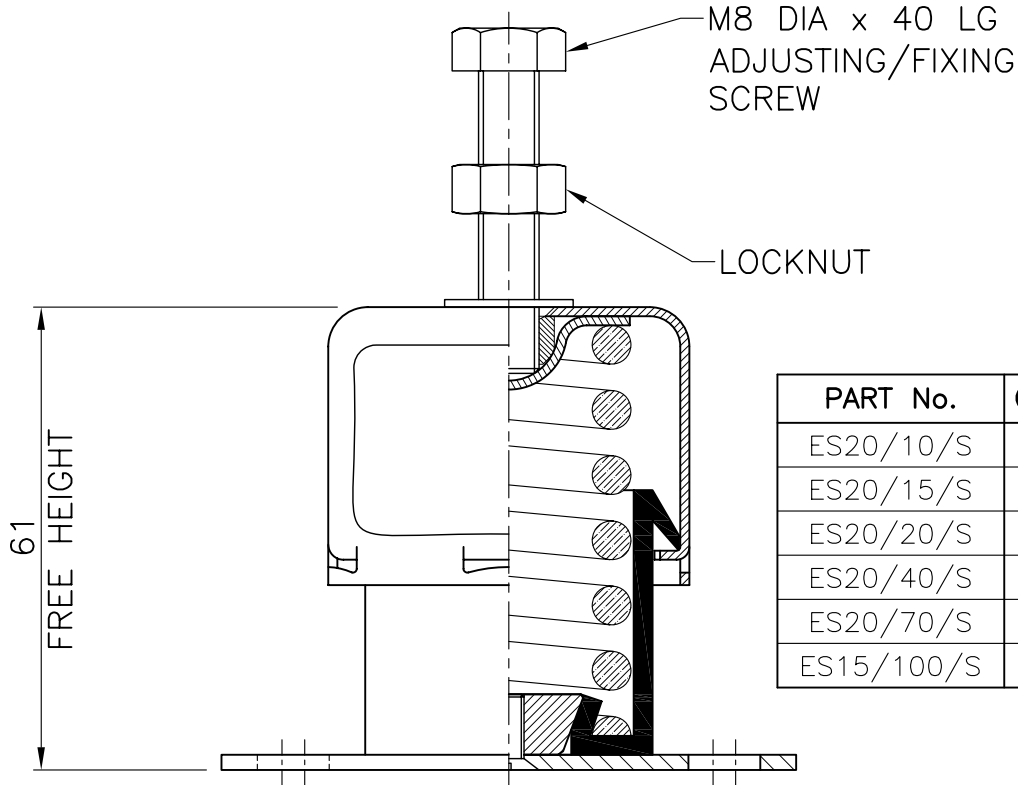


Q
C
F
6
0

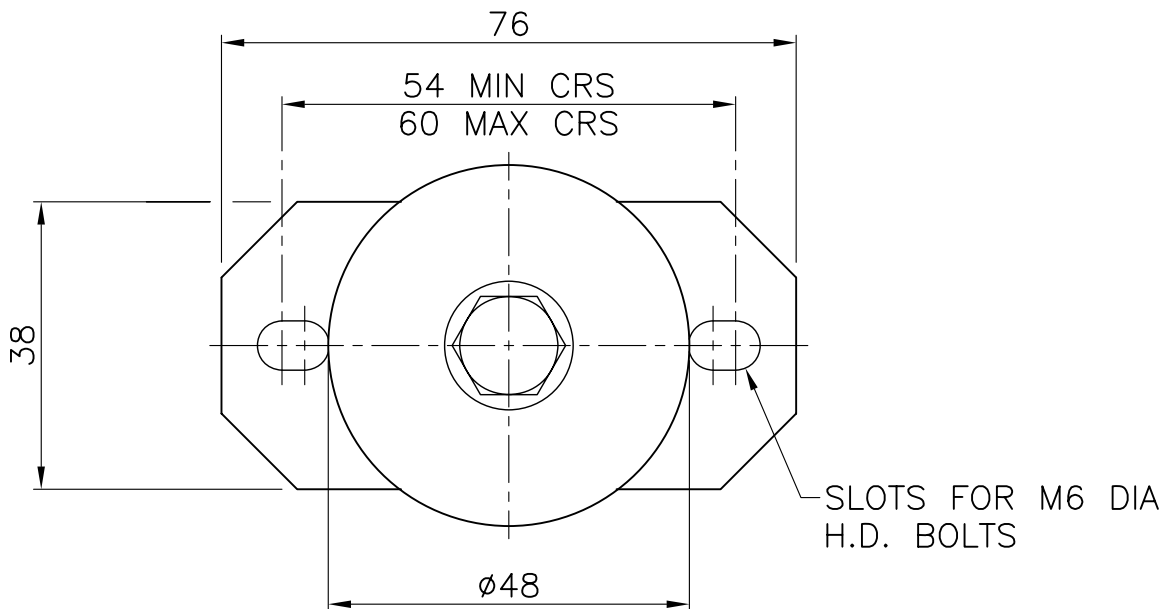
I
S
S
U
E

3


**GENERAL ARRANGEMENT OF STAINLESS STEEL
 ENCLOSED SPRING MOUNTINGS
 ES20/10/S – ES15/100/S**



PART No.	COLOUR CODE
ES20/10/S	PURPLE
ES20/15/S	YELLOW
ES20/20/S	GREY
ES20/40/S	GREEN
ES20/70/S	RED
ES15/100/S	BLUE



FOR GENERAL DETAILS SEE TO CHRISTIE & GREY LEAFLET PLO04.
 FOR INSTALLATION INSTRUCTIONS SEE CHRISTIE & GREY
 DATA SHEET DS 026.

Drawing No. S212	A	B	Job No. –	Scale 1 : 1	 Engineers in vibration, noise and shock control. Christie & Grey Morley Road, Tonbridge, Kent, TN9 1RA England
	23/07/09	20/04/11			
Change note No.	047	Checked G.E.K.			