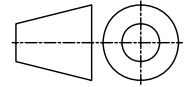
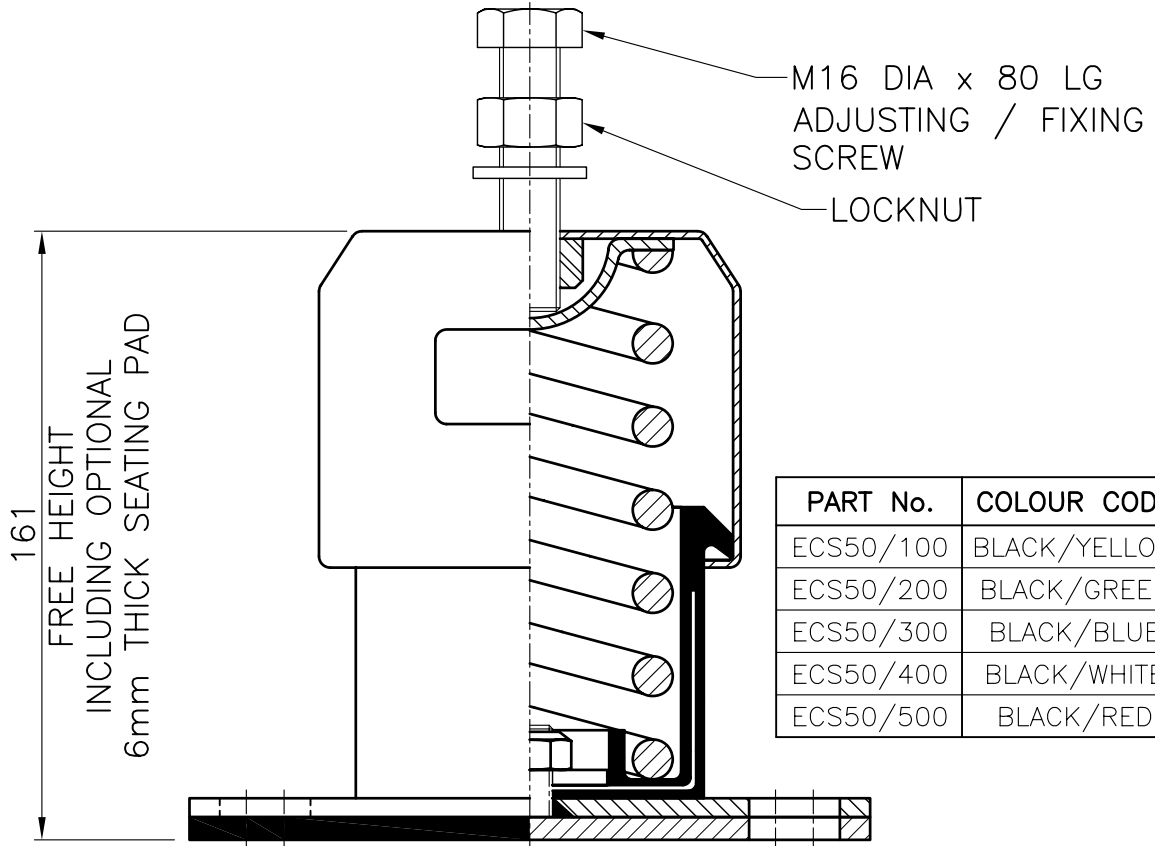


DIMENSIONS IN MILLIMETRES (mm) UNLESS OTHERWISE STATED
 TOLERANCES EXCEPT WHERE OTHERWISE STATED $\pm 0.25\text{mm}$
 NON-CONTROLLED UNLESS STAMPED OTHERWISE.

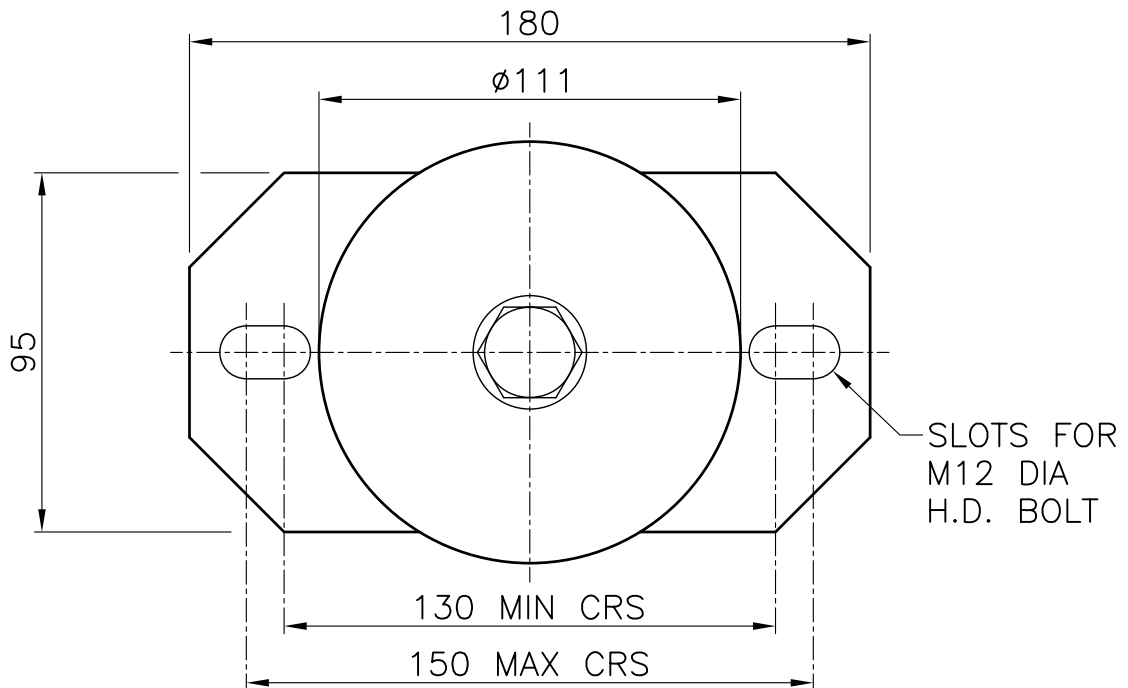
First angle
 projection



GENERAL ARRANGEMENT OF ECS50/100 – ECS50/500 ENCLOSED SPRING MOUNTINGS



PART No.	COLOUR CODE
ECS50/100	BLACK/YELLOW
ECS50/200	BLACK/GREEN
ECS50/300	BLACK/BLUE
ECS50/400	BLACK/WHITE
ECS50/500	BLACK/RED



FOR GENERAL DETAILS SEE CHRISTIE & GREY LEAFLET PL004.
 FOR INSTALLATION INSTRUCTIONS SEE CHRISTIE & GREY DATA SHEET DS 026.

Drawing No. S 121	A	E	F	G	H	Job No. –	Engineers in vibration, noise and shock control. Christie & Grey Morley Road, Tonbridge, Kent, TN9 1RA England
	08/10/99	02/08/04	02/11/05	25/06/07	20/04/11	Scale 1 : 2	
Change note No.	172	138	086	047	Checked A.R.B	Drawn D.H	

Q C C F 6 0 1 S S U E 3