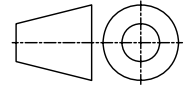
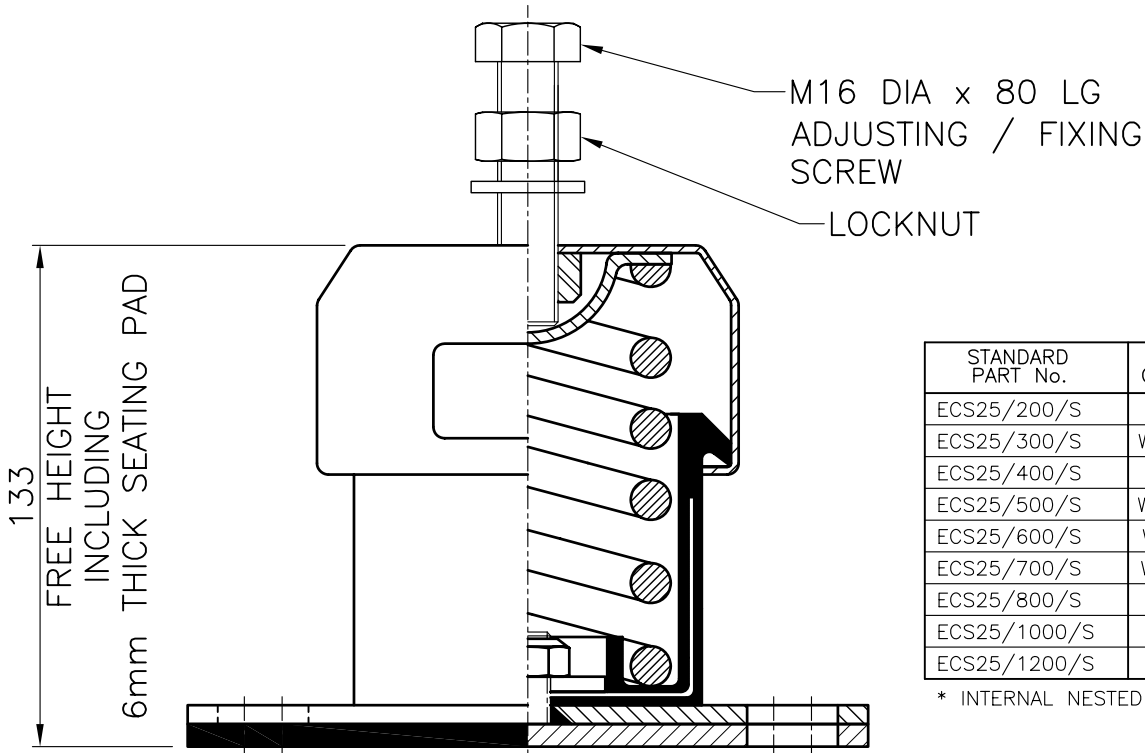


DIMENSIONS IN MILLIMETRES (mm) UNLESS OTHERWISE STATED
 TOLERANCES EXCEPT WHERE OTHERWISE STATED $\pm 0.25\text{mm}$
 NON-CONTROLLED UNLESS STAMPED OTHERWISE.

First angle
 projection

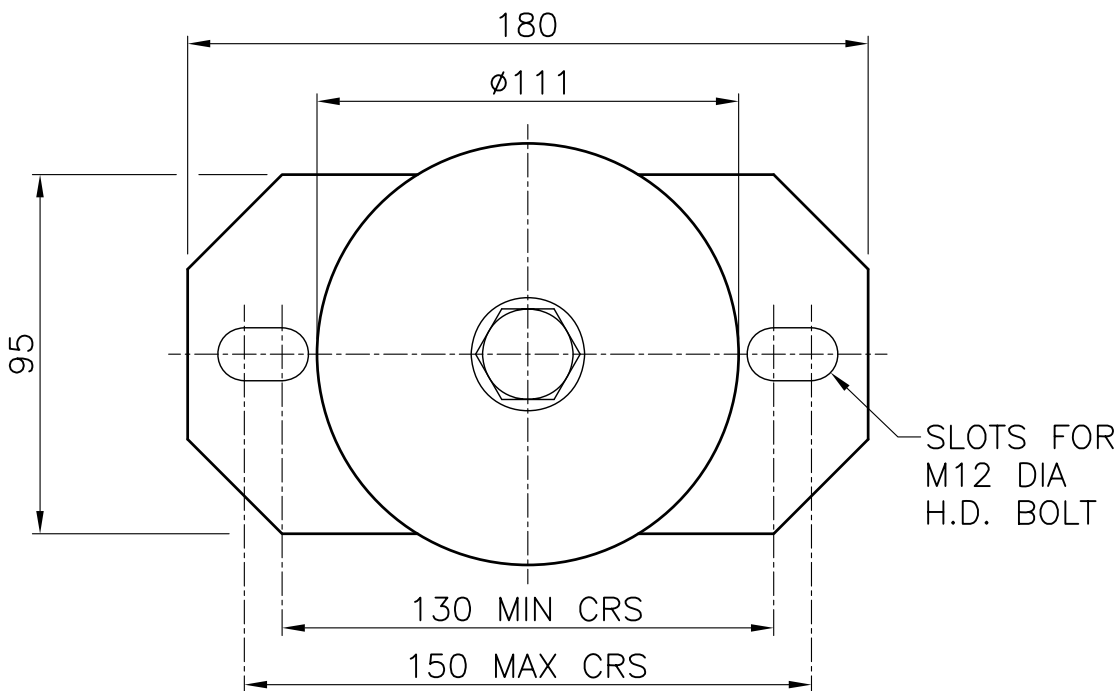


GENERAL ARRANGEMENT OF ECS25/200/S – ECS25/1200/S ENCLOSED SPRING MOUNTINGS – STAINLESS



STANDARD PART No.	SPRING COLOUR CODE
ECS25/200/S	WHITE/RED
ECS25/300/S	WHITE/PURPLE
ECS25/400/S	WHITE/GREY
ECS25/500/S	WHITE/ORANGE
ECS25/600/S	WHITE/BROWN
ECS25/700/S	WHITE/BLACK*
ECS25/800/S	WHITE/GOLD
ECS25/1000/S	WHITE/1000
ECS25/1200/S	WHITE/1200*

* INTERNAL NESTED SPRING



FOR GENERAL DETAILS SEE CHRISTIE & GREY LEAFLET PL004.
 FOR INSTALLATION INSTRUCTIONS SEE CHRISTIE & GREY
 DATA SHEET DS 026.

Drawing No. S 163	A	B	C	D	E	Job No. –	Engineers in vibration, noise and shock control. Christie & Grey Morley Road, Tonbridge, Kent, TN9 1RA England
	03/02/00	11/07/02	02/08/04	02/11/05	20/04/11	Scale 1 : 2	
Change note No.	189	172	138	047	Checked G.E.K		

Q C C F 6 0 1 S S U E 3