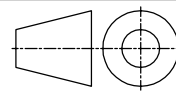
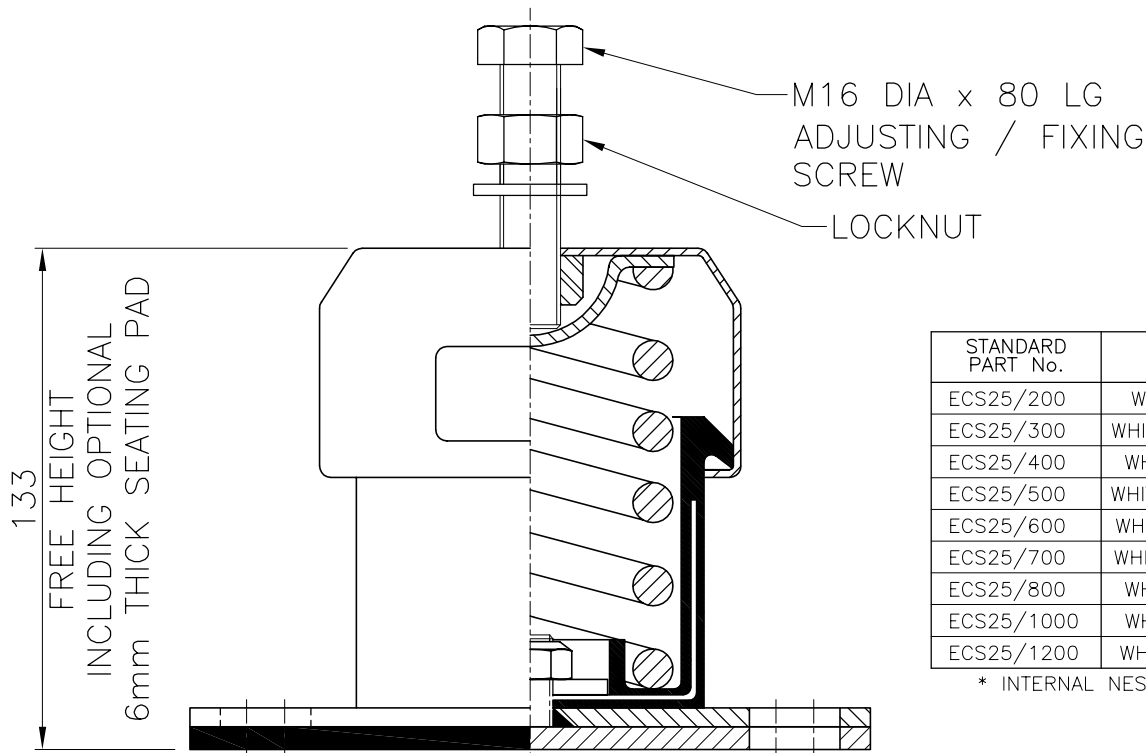


DIMENSIONS IN MILLIMETRES (mm) UNLESS OTHERWISE STATED  
 TOLERANCES EXCEPT WHERE OTHERWISE STATED  $\pm 0.25\text{mm}$   
 NON-CONTROLLED UNLESS STAMPED OTHERWISE.

First angle  
 projection

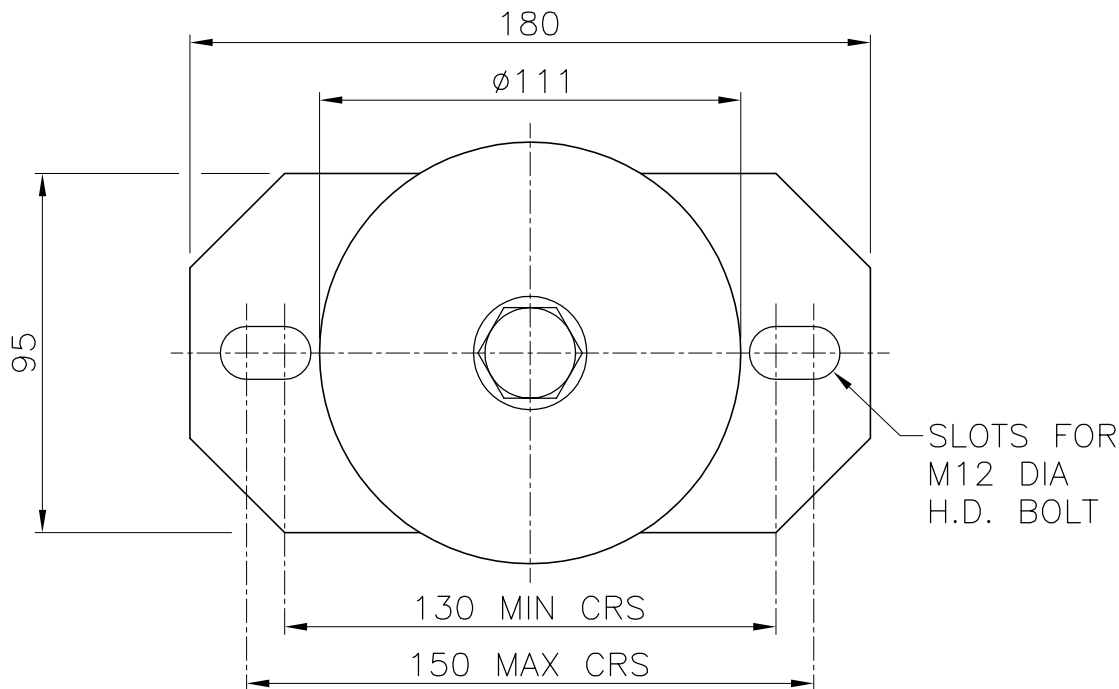


## GENERAL ARRANGEMENT OF ECS25/200 – ECS25/1200 ENCLOSED SPRING MOUNTINGS



STANDARD PART No.	COLOUR CODE
ECS25/200	WHITE/RED
ECS25/300	WHITE/PURPLE
ECS25/400	WHITE/GREY
ECS25/500	WHITE/ORANGE
ECS25/600	WHITE/BROWN
ECS25/700	WHITE/BLACK*
ECS25/800	WHITE/GOLD
ECS25/1000	WHITE/1000
ECS25/1200	WHITE/1200*

\* INTERNAL NESTED SPRING



FOR GENERAL DETAILS SEE CHRISTIE & GREY LEAFLET PL004.  
 FOR INSTALLATION INSTRUCTIONS SEE CHRISTIE & GREY  
 DATA SHEET DS 026 & DS COSHH 0001 RESPECTIVELY.

Drawing No. S 091	A	F	G	H	J	Job No. –	Engineers in vibration, noise and shock control. Christie & Grey Morley Road, Tonbridge, Kent, TN9 1RA England
	09/08/96	11/07/02	02/08/04	04/04/05	02/11/05	Scale 1 : 2	
Change note No.		190	172	038	138	Drawn A.B.	
						Checked M.T.P.	

Q  
 C  
 F  
 6  
 0  
 1  
 S  
 S  
 U  
 C  
 E  
 3