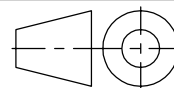


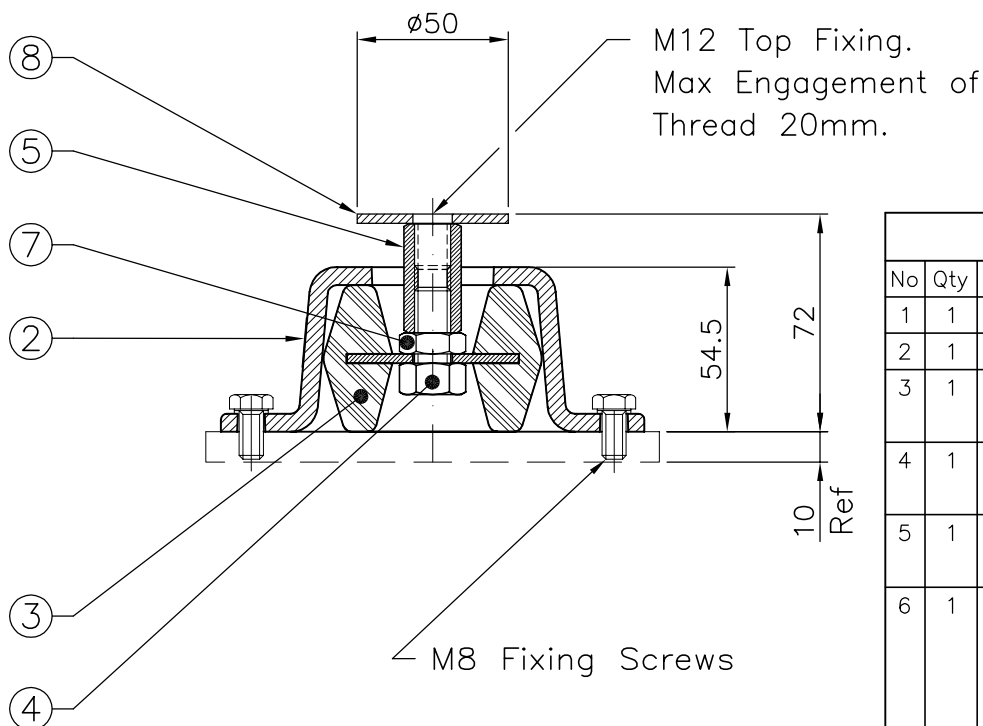
DIMENSIONS IN MILLIMETRES (mm) UNLESS OTHERWISE STATED  
 TOLERANCES EXCEPT WHERE OTHERWISE STATED  $\pm 0.25\text{mm}$   
 NON-CONTROLLED UNLESS STAMPED OTHERWISE.

First angle  
 projection

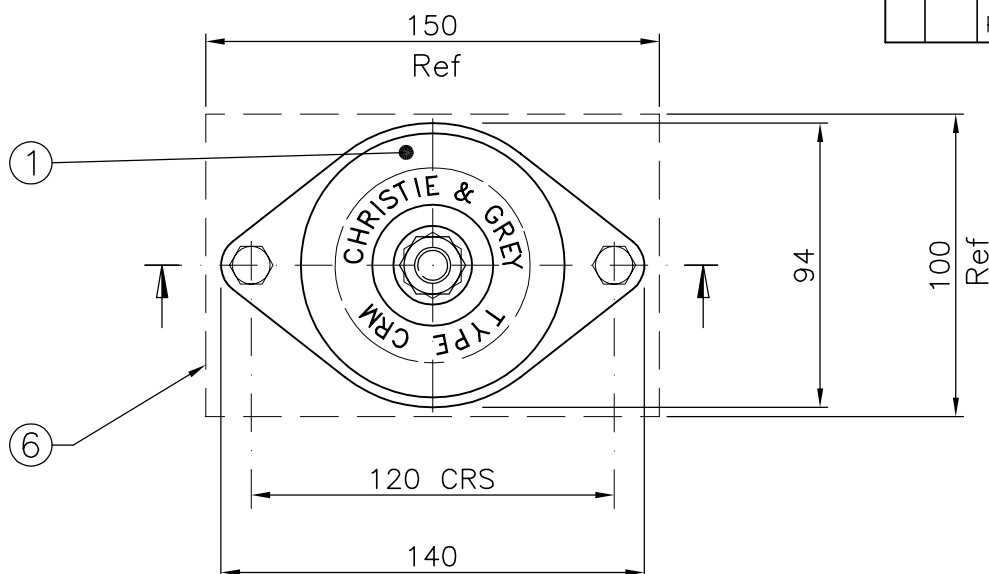


Q C C F 6 0 1 S S U E 3

## DETAILS OF TYPE CRM MOUNTING.



PARTS LIST		
No	Qty	Description.
1	1	Cast Base
2	1	Self - Adhesive Label
3	1	Rubber Moulding to stiffness specified on Works Order
4	1	M12 x 1.75 - 6g x 20 Lg Set Screw. B.Z.P.
5	1	M12 x 36 Lg Hexagonal Steel Coupling. B.Z.P.
6	1	Mild Steel Base Plate ( Optional ) Pt No. 4149 Complete with M8 x 16 Lg Set Screws & Spring Washers
7	1	M12 Locknut. B.Z.P.
8	1	Washer. B.Z.P Pt No. 4077.



FOR GENERAL DETAILS SEE CHRISTIE & GREY LEAFLET No. PL003.

<b>Drawing No.</b> S 081	A	B	C	D		Job No. -	<p style="font-size: small;">Engineers in vibration, noise and shock control.          Christie &amp; Grey          Morley Road, Tonbridge,          Kent, TN9 1RA England</p>
	23/01/95	19/02/99	02/08/04	02/11/05		Scale N.T.S.	
Change note No.	082	172	138		Drawn A.B.		
					Checked P.J.B.		