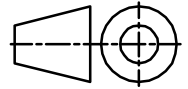


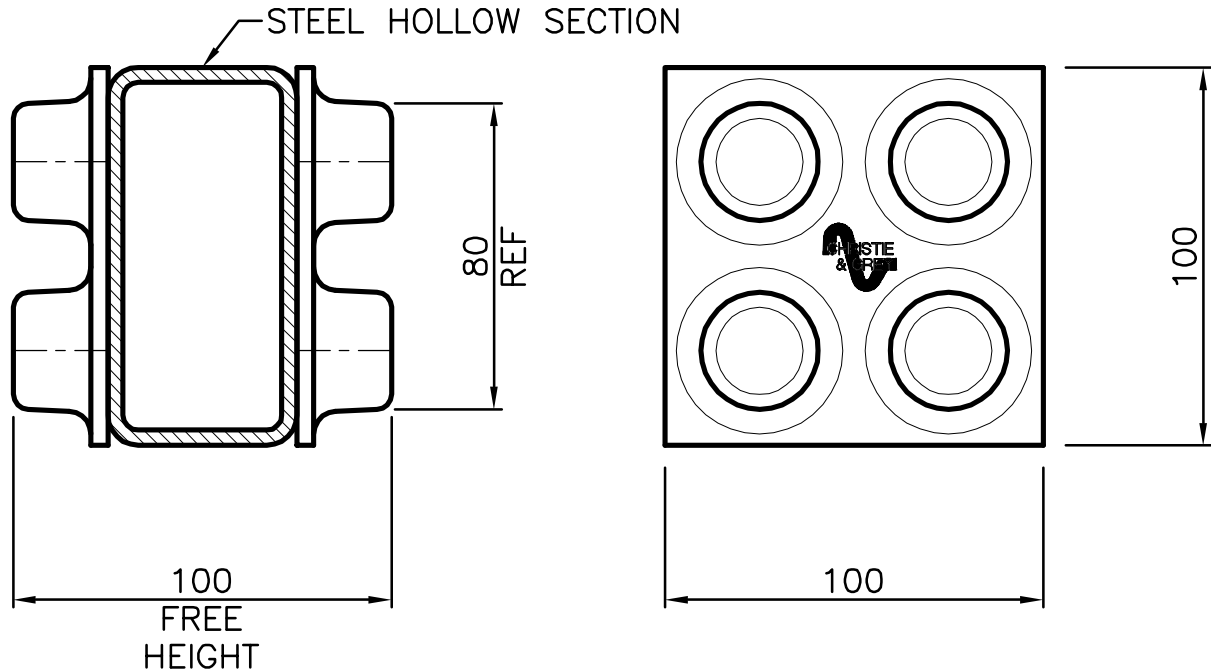
DIMENSIONS IN MILLIMETRES (mm) UNLESS OTHERWISE STATED  
 TOLERANCES EXCEPT WHERE OTHERWISE STATED  $\pm 0.5\text{mm}$   
 NON-CONTROLLED UNLESS STAMPED OTHERWISE.

First angle  
 projection

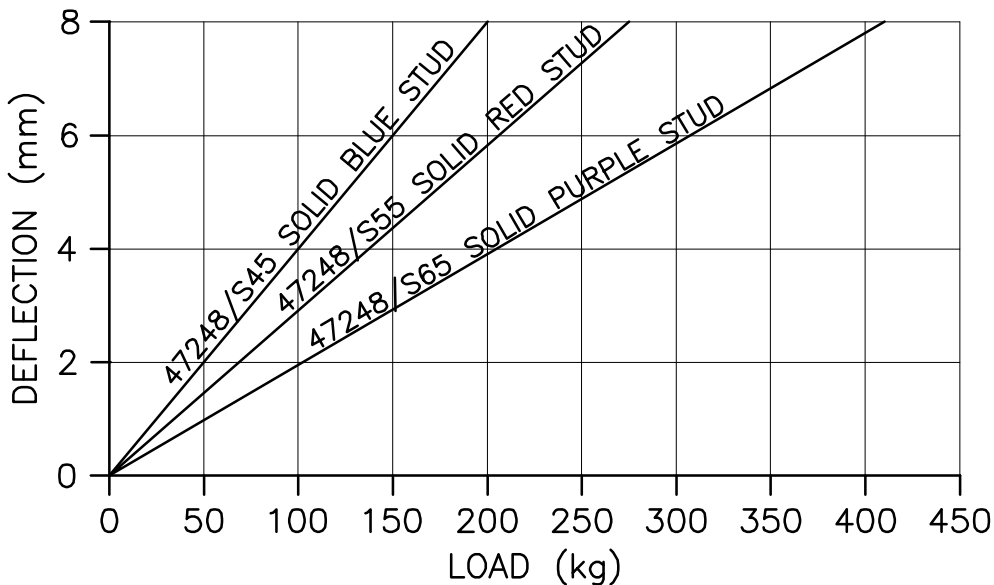



Q  
C  
C  
F  
6  
0  
I  
S  
S  
U  
E  
3

**DETAILS OF STUDFLEX DOUBLE LAYER PADS  
 WITH STEEL HOLLOW SECTION FOR 100mm AIRSPACE**



**LOAD/DEFLECTION CHARACTERISTICS**



Drawing No. <b>S189</b>	A 21/01/04		Job No.	 Engineers in vibration, noise and shock control. Christie & Grey Morley Road, Tonbridge, Kent, TN9 1RA England
			Scale 1 : 2	
Drawn A.R.B				
Checked G.E.K.				
Change note No.				