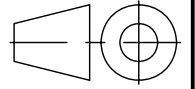
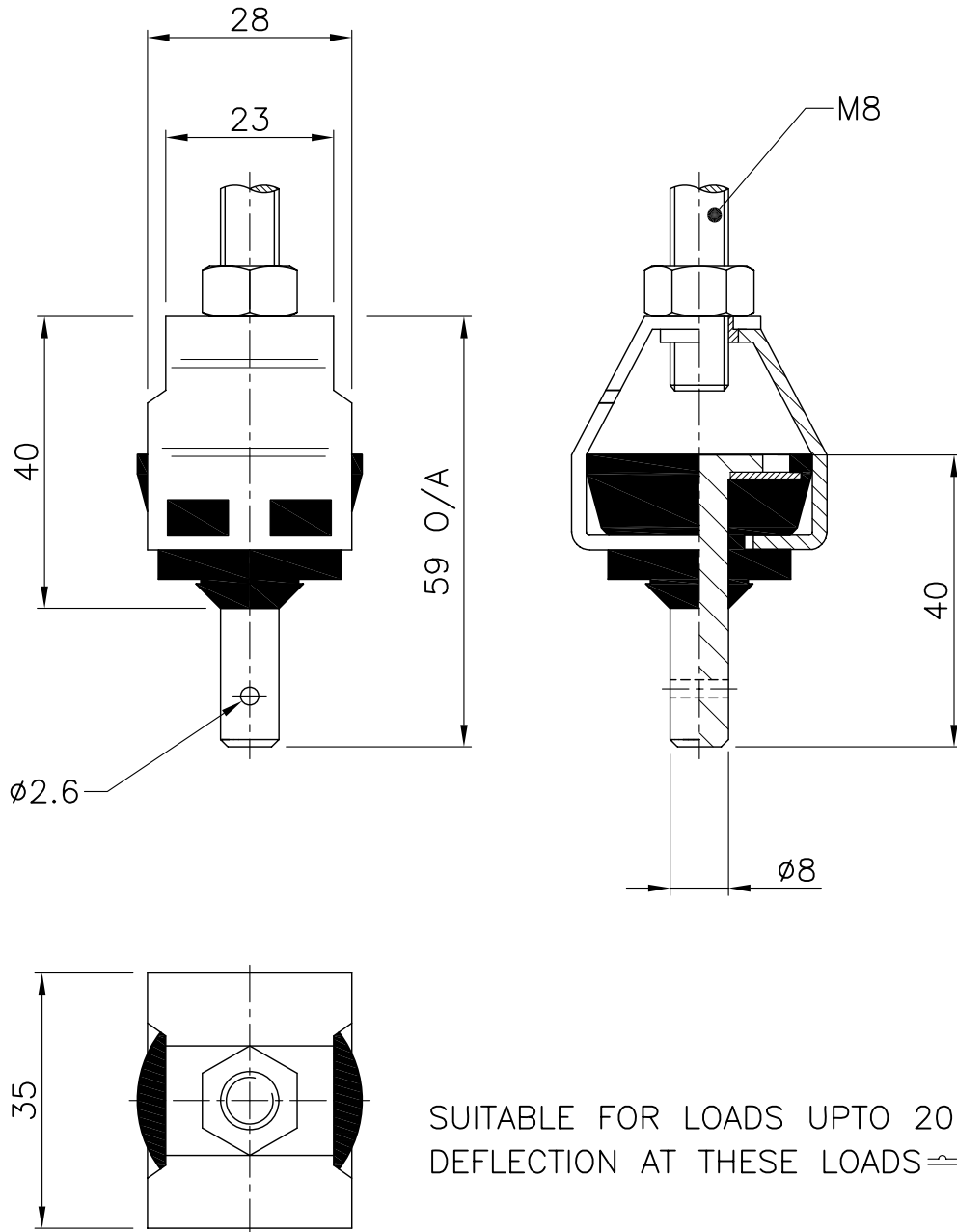


DIMENSIONS IN MILLIMETRES (mm) UNLESS OTHERWISE STATED
 TOLERANCES EXCEPT WHERE OTHERWISE STATED $\pm 0.25\text{mm}$
 NON-CONTROLLED UNLESS STAMPED OTHERWISE.

First angle
 projection




**GENERAL ARRANGEMENT OF ACH/S20
 ACOUSTIC CEILING HANGER (STUD)**



SUITABLE FOR LOADS UPTO 20 kg
 DEFLECTION AT THESE LOADS $\approx 2\text{mm}$

FOR GENERAL DETAILS SEE CHRISTIE & GREY LEAFLET PL023.
 FOR INSTALLATION INSTRUCTIONS SEE CHRISTIE & GREY
 DATA SHEET DS 029.

Drawing No. S140	A	B	C	D	Job No. —	 Engineers in vibration, noise and shock control. Christie & Grey Morley Road, Tonbridge, Kent, TN9 1RA England
	16/11/99	06/12/00	02/11/05	20/04/11		
Change note No.	326	138	047		Drawn D.H.	
					Checked A.R.B.	

QFC60155UE3